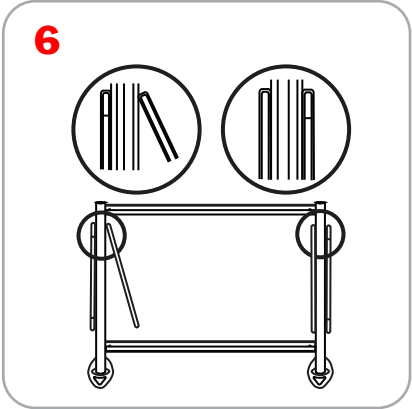
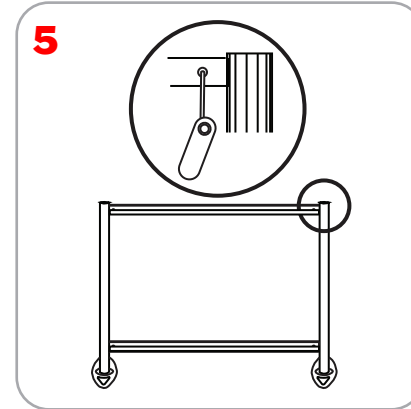
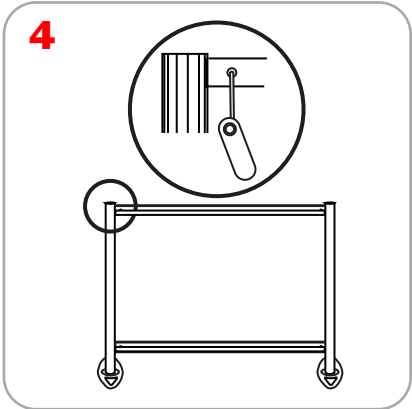
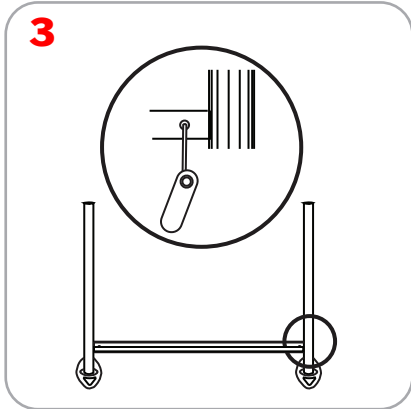
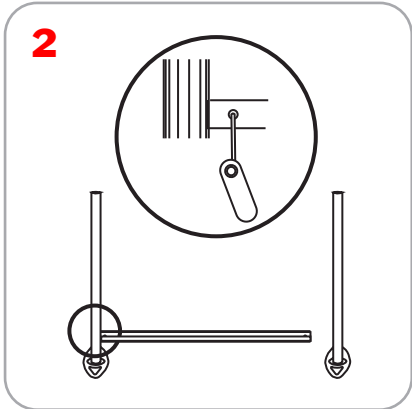
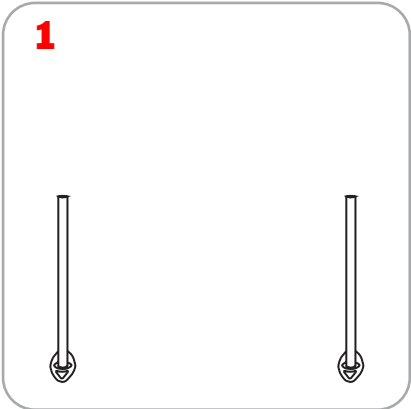


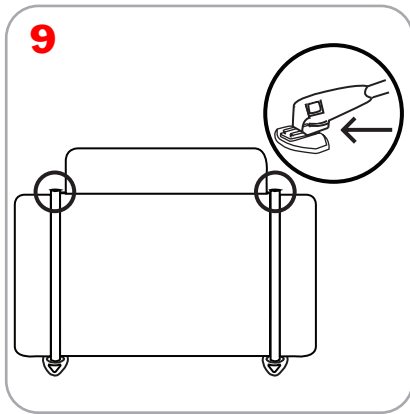
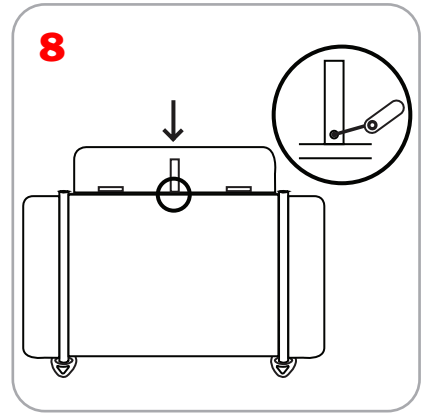
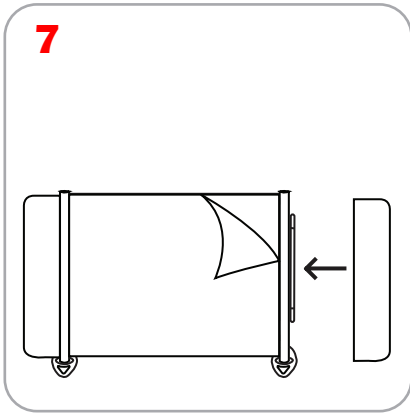
Tabletop Linear

The Linear System provides the look, style, and sophistication of a semi-custom exhibit with the ease, convenience, and value for money trade price that you are looking for. The Linear range of portable exhibits is designed to ship with minimal lead time, and is a terrific "off the shelf" solution for tradeshow and semi-permanent displays.

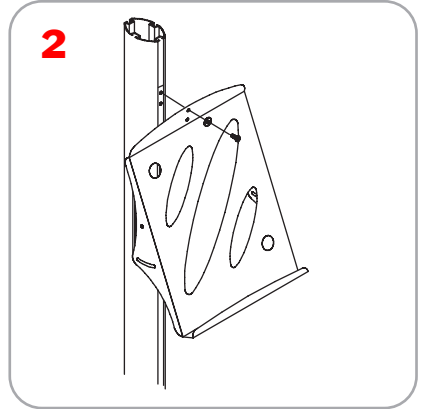
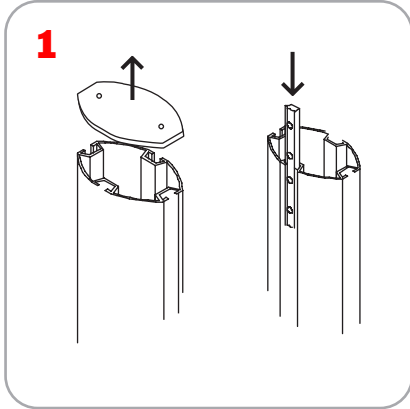


Assembly





Literature Rack



Features and Benefits

- “Off the shelf” quick ship availability
- Kit includes lights, hex tool, and case
- Lightweight, modular aluminum frame
- UPS shippable cases

Display Dimensions

74”w x 16”d x 55”h (w/o lights)
 1880mm w x 406mm d x 1397mm h (w/o lights)

Weight: 30 lbs, 13.6 kg

Graphic Dimensions

Center Graphics

Total Size	47”w x 43”d
	1193.8mm w x 1092.2mm h
Trim Size	46”w x 42”h
	1168.4mm w x 1066.8”h

Left & Right Wings

Total Size	13”w x 43”h
	330.2mm w x 1092.2mm h
Trim Size	12”w x 42”h
	304.8mm w x 1066.8mm h

Header

Total Size	46”w x 12”h
	1168.4mm w x 304.8mm h
Trim Size	45”w x 11”h
	1143mm w x 279.4mm h

Additional Information

Shipping Size: 50” x 28” x 12”
 1270mm x 711mm x 305mm

Shipping Weight: 55 lbs, 25 kg

Shipped In: Molded OCH Case

Graphic Substrate: 20mil (center graphic) and 3mm styrene (wing/headers)

Lights: Choose 2 of our Lumina Lights to accentuate your display

Kits (Header & Wing Shapes):

