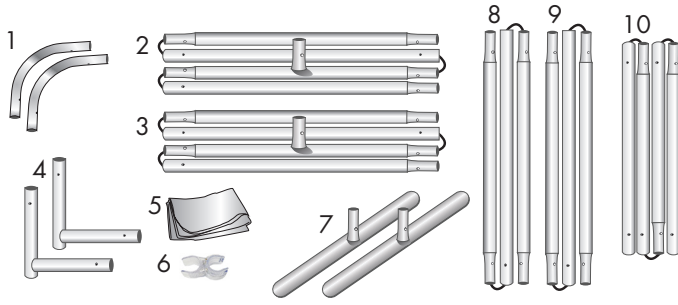


# 10FT 90" Eurofit Wall

## Product Parts

- 1 - Top Corner Poles (x2)
- 2 - 4pc Top Pole
- 3 - 4pc Bottom Pole
- 4 - Bottom Corner Poles (x2)
- 5 - Graphic
- 6 - Plastic Hinge Connector
- 7 - Feet (x2)
- 8 - 3pc Left Pole
- 9 - 3pc Right Pole
- 10 - 4pc Vertical Center Pole



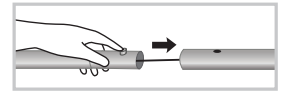
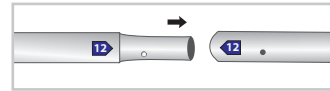
## Display Set-Up

### Step 1

Begin by removing all parts from the carry case and place on a clean, flat surface. Ensure you have all the components listed above.

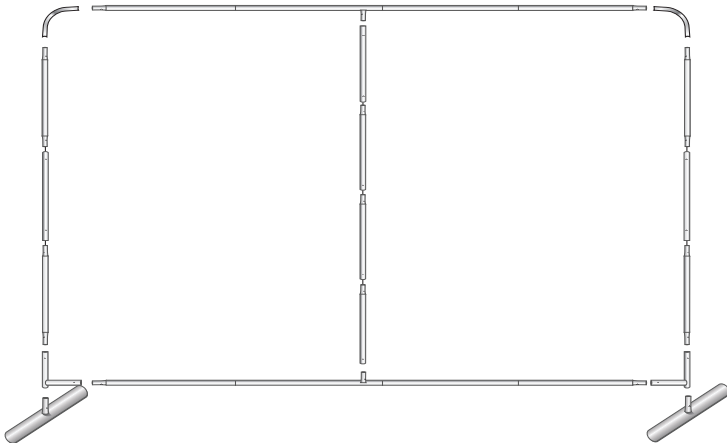
### Step 2

Assemble all the poles by connecting the corresponding numbers together while pressing the snap button as shown.



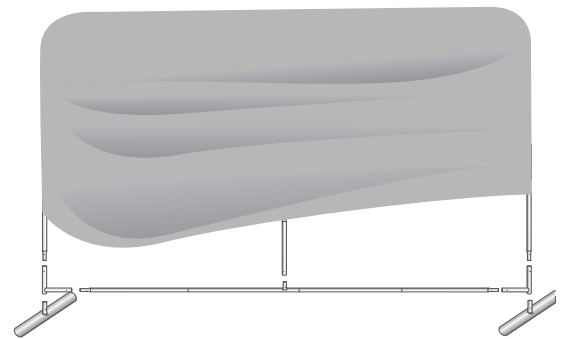
### Step 3

Continue to connect the poles illustrated in the image below.



### Step 4

Drape the Graphic (5) over the hardware as shown.



### Plastic Hinge Connector

Used to connect all Eurofit Displays with 1.25" Diameter Poles.



## Storage & Care

Place all product parts into Carry Case and store in a cool dry location. Recommended for indoor use only. Machine wash on gentle cycle using mild detergent. Tumble Dry No Heat. Do NOT dry clean, Do NOT Iron.