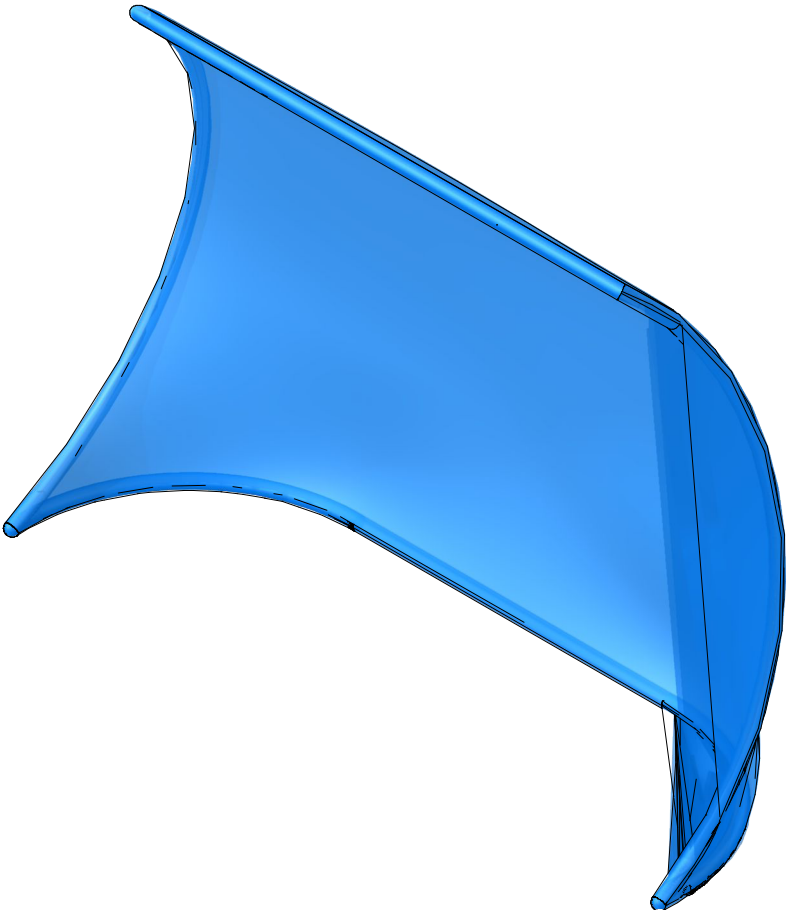


TT5



TT5 Mini Vertical Curve

Fabric structure assembly

Step 1. Unpack small items from case then pull out large tube bag. Ground cloth should be used to keep frame & fabric clean.

Step 2. Assemble frame in numerical order as shown on right. Numbers will be on the back side of the tube. It is best to assemble with the frame laying flat as shown and set upright after the fabric is attached.

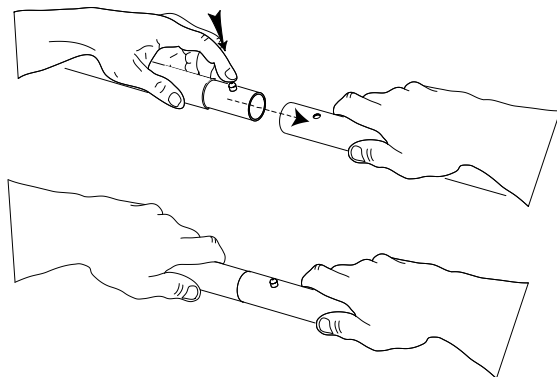
Step 3. Stretch fabric over frame.

- When working with fabric use gloves or clean hands and keep fabric away from dirty surfaces.

- Pull fabric over frame and secure with zipper.

Note:

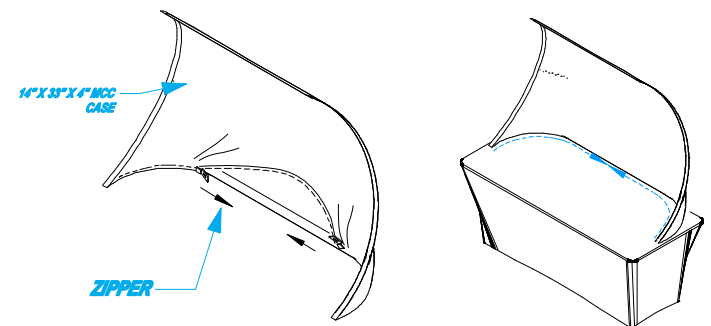
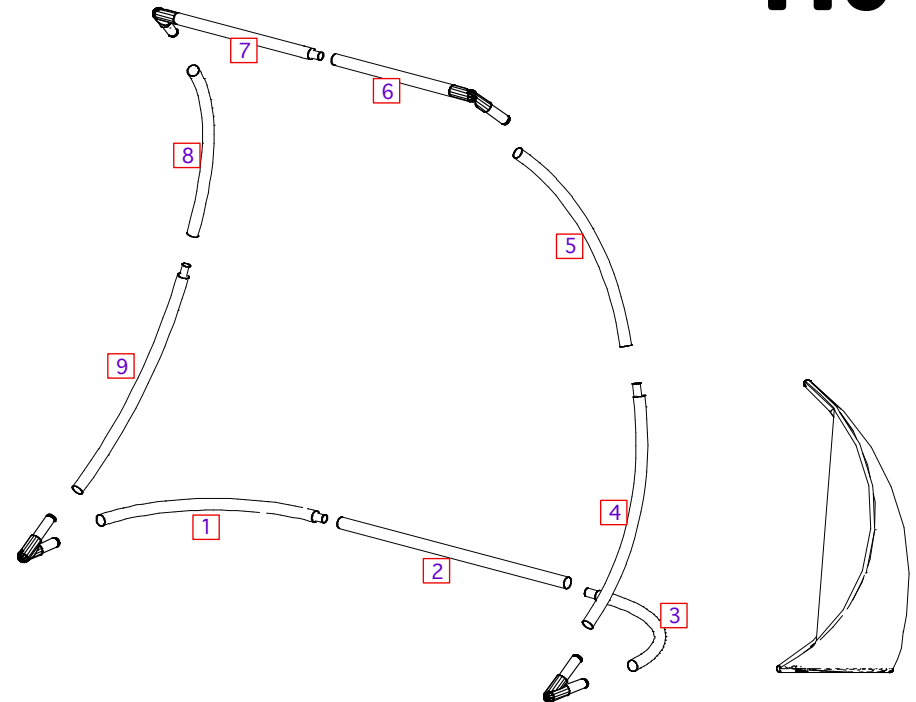
Start the zippers from each side equally and work it toward the middle.



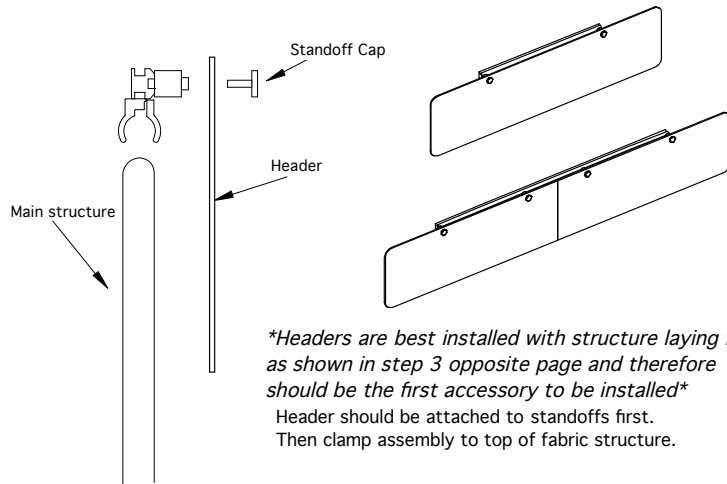
Frame Assembly

Assemble frame as shown

TT5

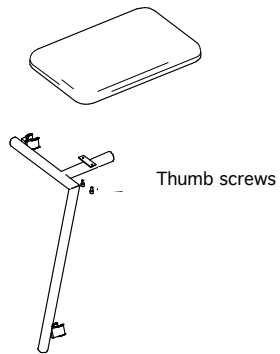


Graphic Header



Headers are best installed with structure laying flat as shown in step 3 opposite page and therefore should be the first accessory to be installed
Header should be attached to standoffs first. Then clamp assembly to top of fabric structure.

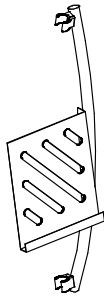
Shelf Support



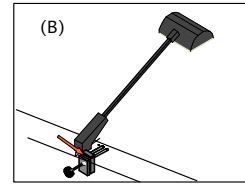
Side counter supports should be attached to side of main frame so that top of support is 39" from ground. Then attach counter top to support with thumb screws.

Literature Holder

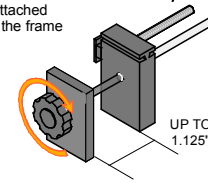
Clamp side mount literature holder to side of main structure.



Lighting



Lights can also be attached directly to the top of the frame using a clip (B)



TT5

Accessories

Accessories should be installed after fabric structure is assembled and fabric is put on frame. If using header, install header first.

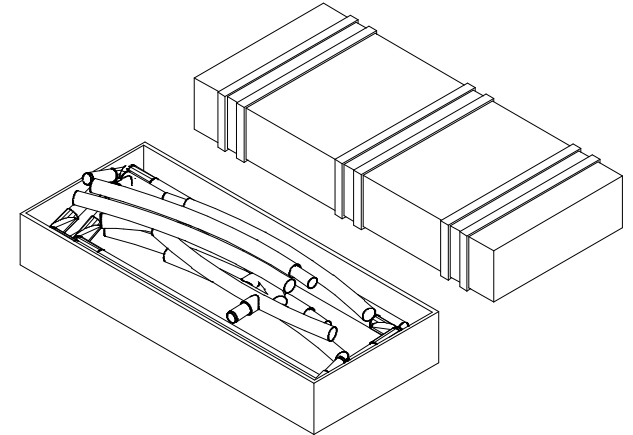
Packing

All tubes except side mount counter supports should be put into the tube bag. Pack tube bag first and unpack last.

Accessories should be packed in middle of case.

Fabric should be folded and put into smaller zippered bag. Pack fabric bag last and unpack first.

Packing TT1, TT2, TT4 & TT5



NOTE: THIS CASE WILL BE COMPLETELY FILLED AND NO OTHER ITEMS WILL FIT IN HERE.

Packing TT3

