

Linear Kiosk 02

LN-K-02

Dress up and add wow to your space with state-of-the-art multimedia kiosks.



features and benefits:

- Custom appearance
- Easy to assemble
- Bases available in four finishes
- Aluminum construction: vertical extrusions 50 mm x 50 mm
- Wings are double sided
- Installation tool included
- Kit includes one OCH2 case, custom printed canopy with pillowcase graphic, rigid custom printed graphics, and monitor mount
- Easy step-by-step instructions
- Lifetime hardware warranty against manufacturer defects

dimensions:

Hardware	Graphic
<p>Assembled unit: 47.25" w x 96.85" h x 23.25" d approx. 1200mm(w) x 2460mm(h) x 609.6mm(d)</p>	<p>Top wing graphic: Total visible area: 15" w x 47.25" h 381mm(w) x 1200mm(h)</p>
<p>Shipping</p> <p>Shipping dimensions - ships in one case OCH2 case: 52" l x 30" w x 15" h 1320.8mm(l) x 762mm(w) x 381mm(h)</p> <p>Approximate shipping weight: 130lbs/59kg</p>	<p>Bottom wing graphic: Total visible area: 15" w x 39.3125" h 381mm(w) x 998mm(h)</p> <p>Pillowcase canopy graphic: Total visible area: 47.25" w x 23.25" d 1200mm(w) x 590.6mm(d)</p> <p>Refer to related graphic template for more information</p>

additional information:

Graphic materials:
Dye sublimated fabric & UV prints on 6mm sintra

Base color options:



silver



black



mahogany



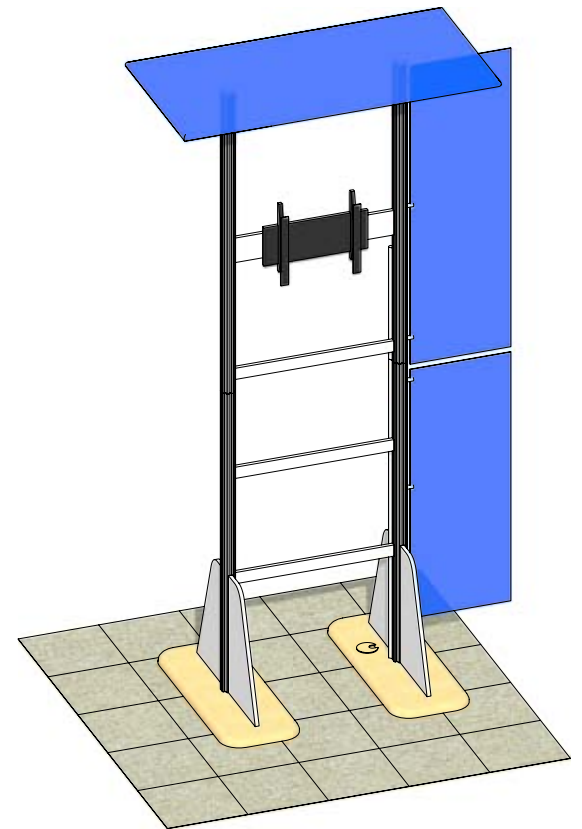
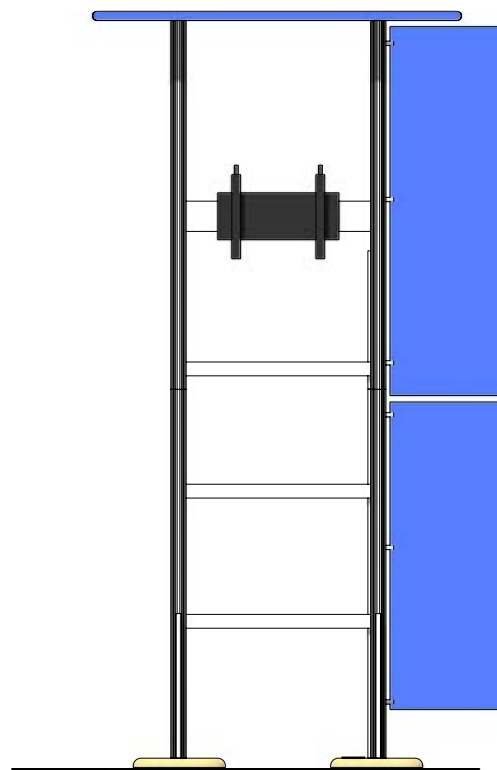
natural

Monitor mount holds max weight 50lbs/22kg

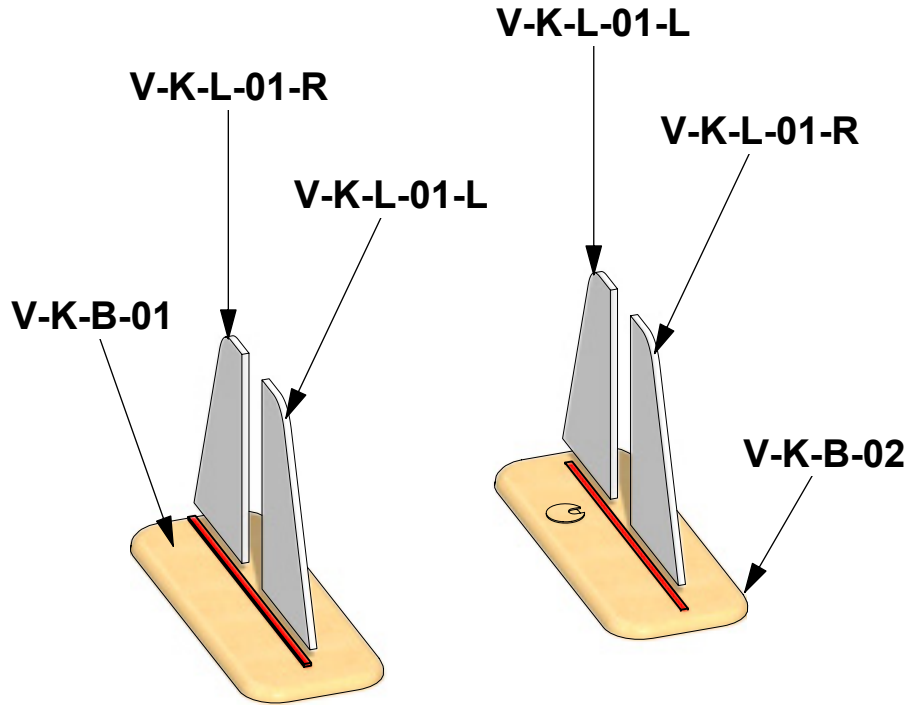
Rigid panels can be upgraded to frosted plex

We are continually improving and modifying our product range and reserve the right to vary the specifications without prior notice. All dimensions and weights quoted are approximate and we accept no responsibility for variance. E&OE. See Graphic Templates for graphic bleed specifications.

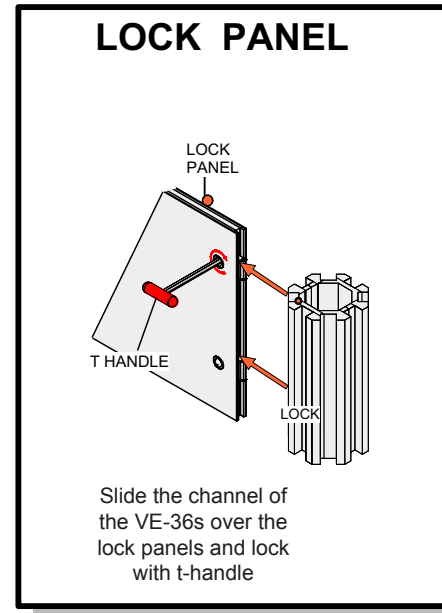
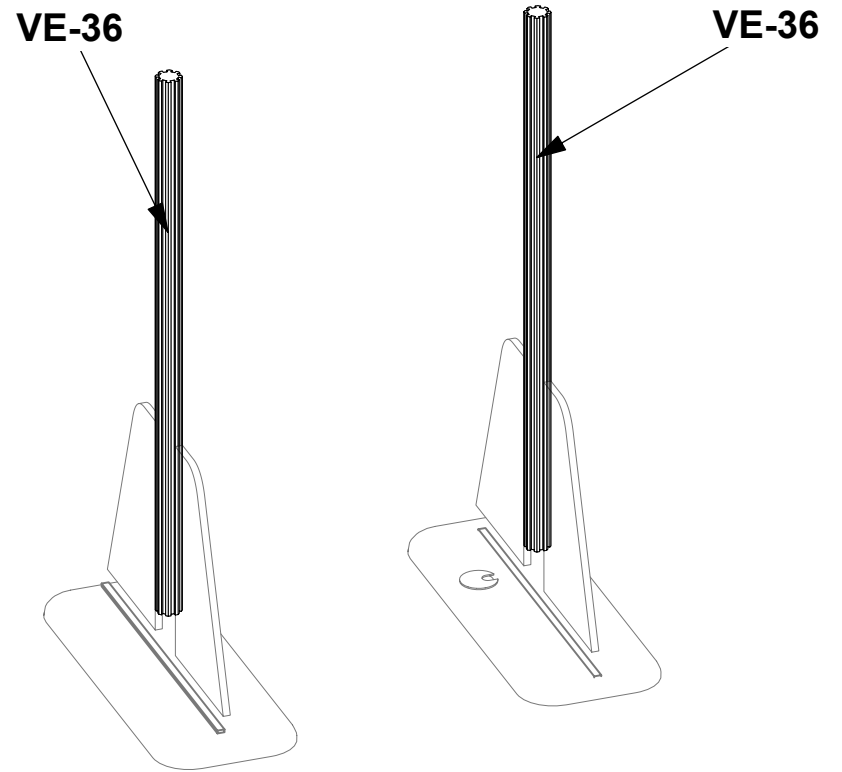
Parts Included		
Part label	Qty	Part code
VE-16	x3	PH-600-S-S
VE-34	x1	PS2-2-L-L
VE-36	x4	PM2R8-1200-A-A
VE-45	x2	PH4-300
VE-46	x2	PH4-75-L
V-K-B-01	x1	V-K-B-01
V-K-B-02	x1	V-K-B-02
V-K-L-01-L	x2	V-K-L-01-L
V-K-L-01-R	x2	V-K-L-01-R
Graphic A (canopy)	x1	-
Graphic B	x1	-
Graphic C	x1	-
Monitor mount	x1	MM-MB
VE-64	x1	WME-1200
VE-65	x1	WME-450
Standoff	x4	CKAPS
Canopy	x1	V-K-CAN-02
Joining bar	x4	LN100
T-Handle	x1	T-HANDLE



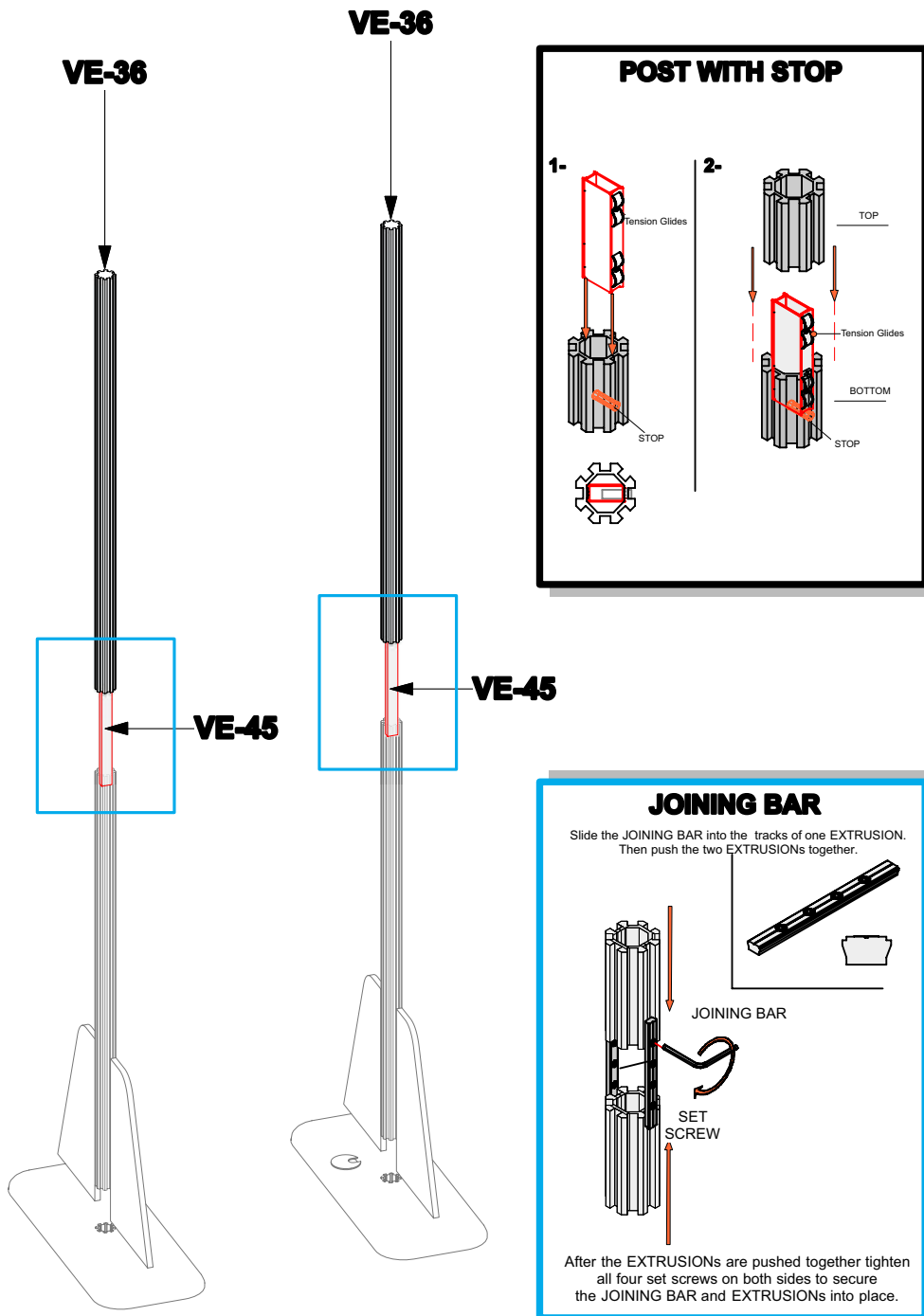
Step 1.
Place V-K-L-01s into slots on the V-K-B-01/02 bases using detail below. Lock holes should face inside.



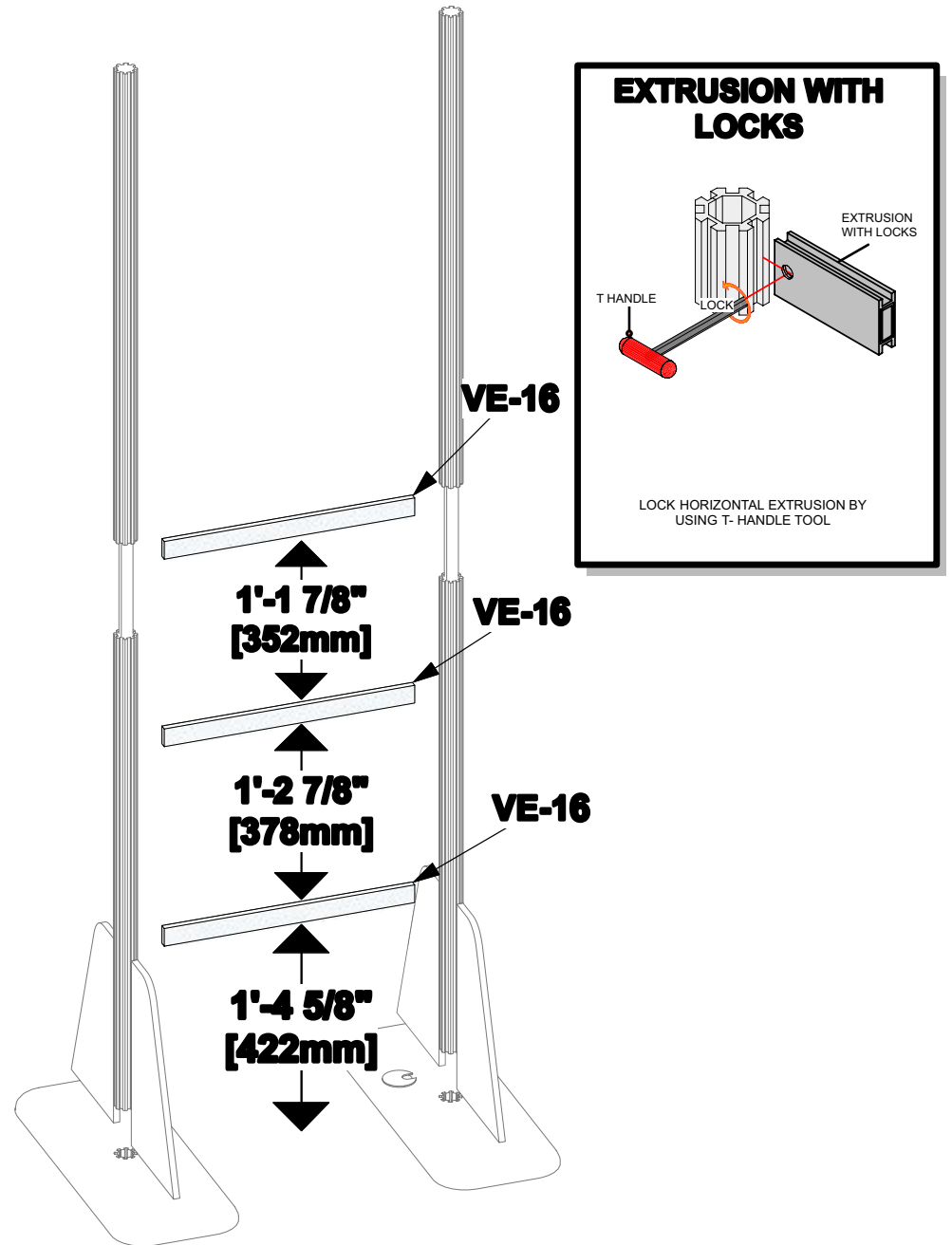
Step 2.
Slide the VE-36s down between the V-K-L-01s and lock the panels using detail below.



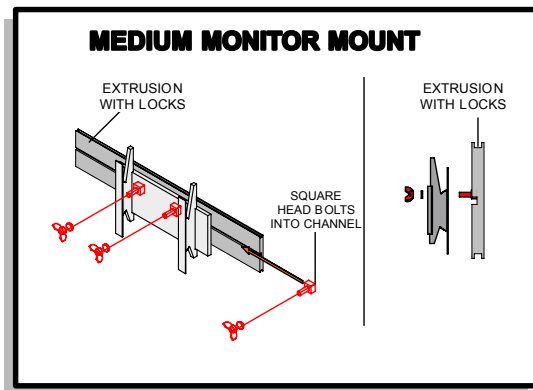
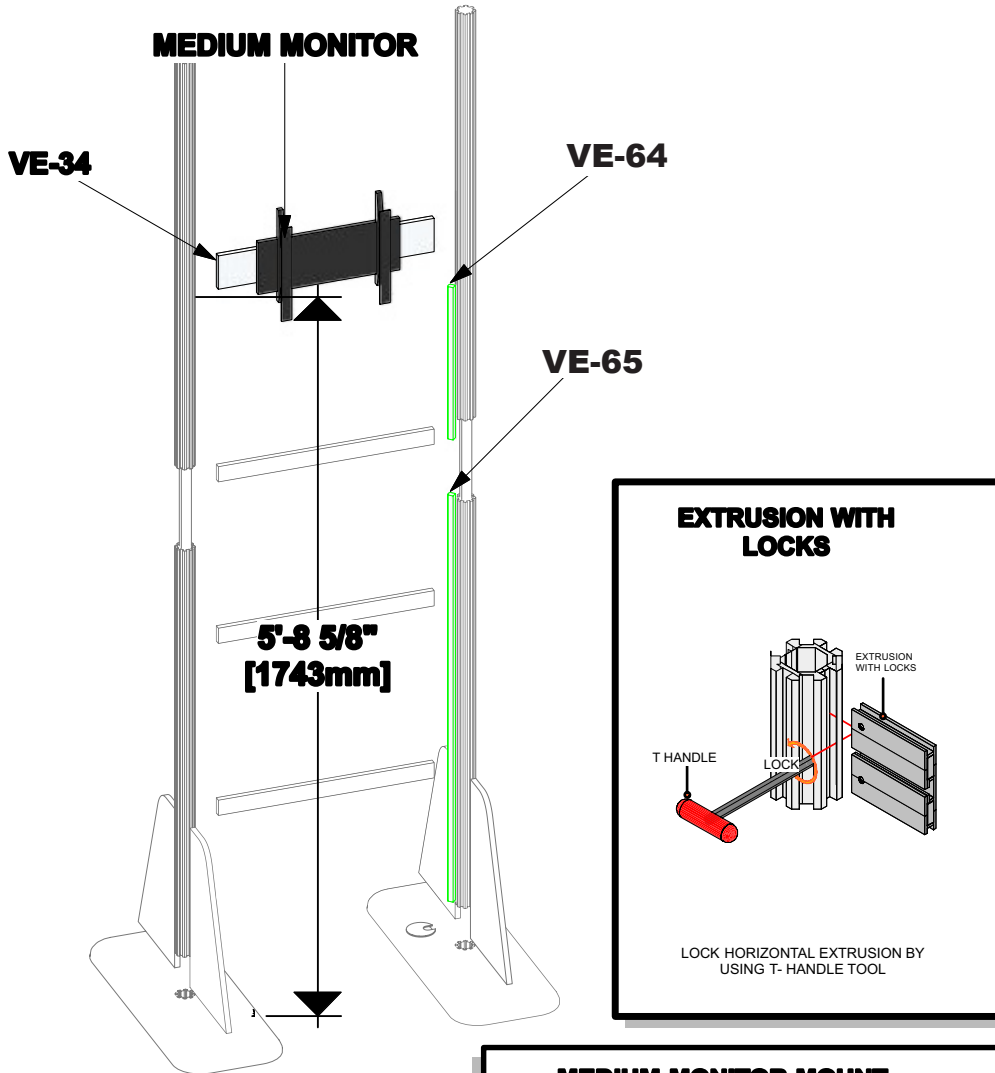
Step 3.
 Insert VE-45 internal connectors into lower VE-36s. Attach joining bars to lower VE-36s. Slide upper VE-36s onto the joining bars and VE-45 internal connectors. Lock joining bars.



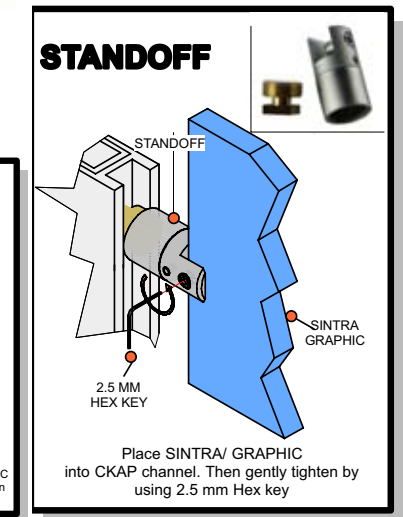
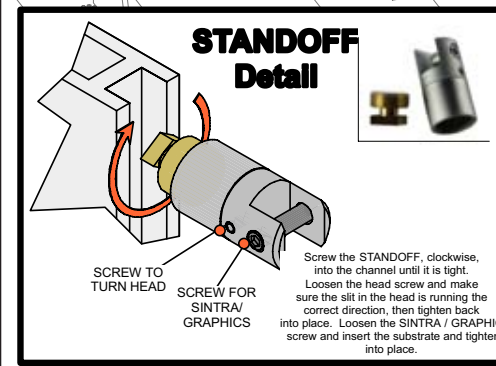
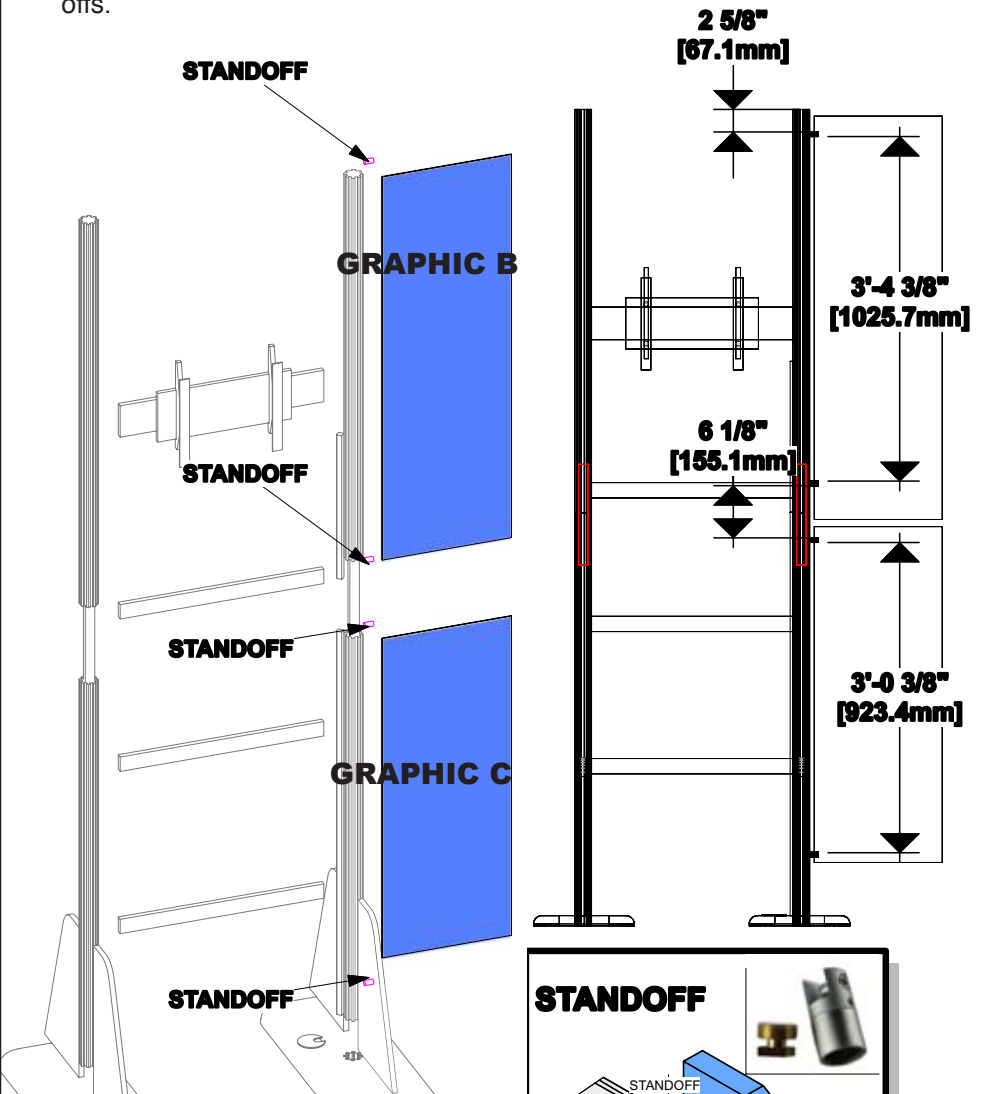
Step 4.
 Attach VE-16s between uprights at specified heights using detail shown below.



Step 5.
Attach monitor mount to VE-36s using detail below. Run cable through VE-64/VE-65 and snap into channel.

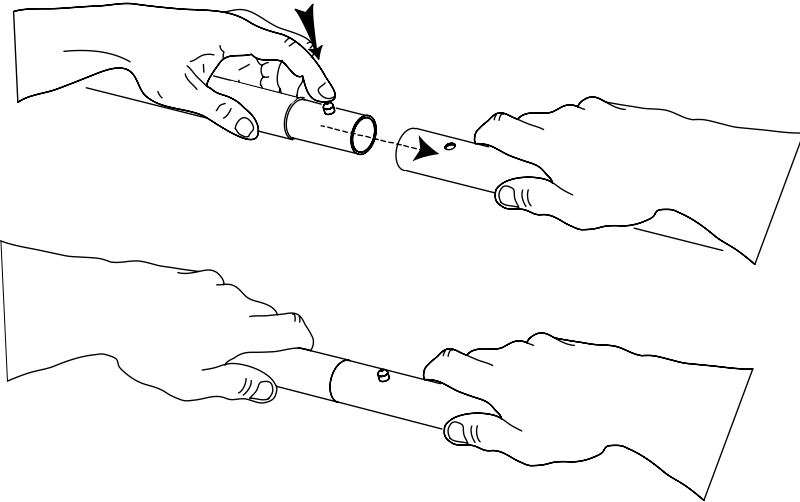
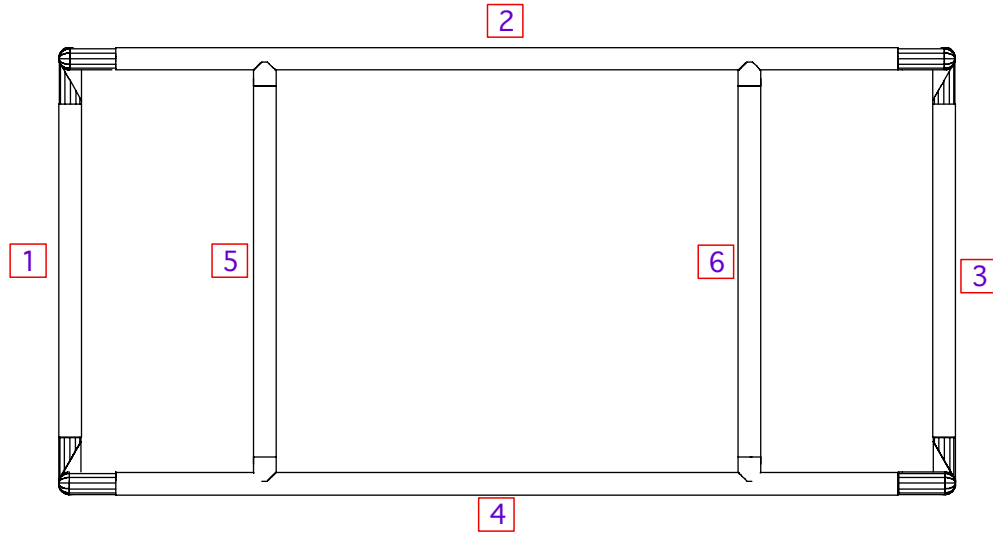


Step 6.
Attach standoffs to right VE-36s in designated positions. Attach wings to standoffs.



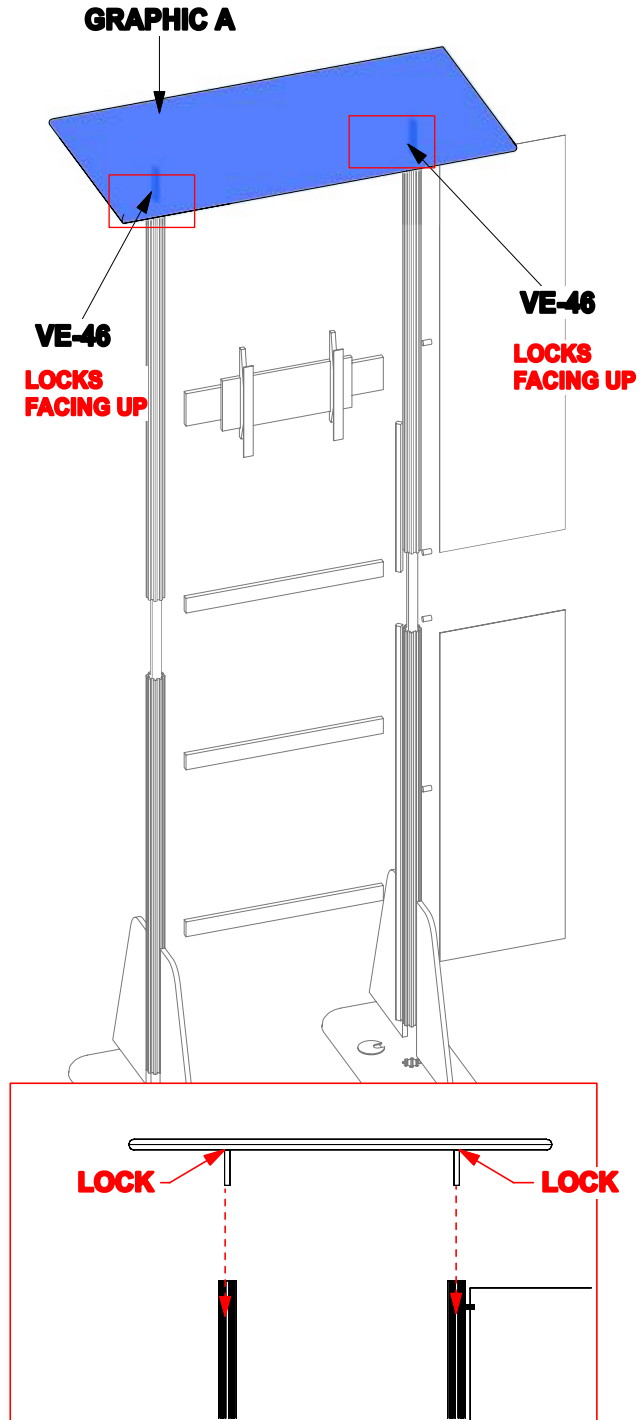
Step 7.

Assemble the canopy by connecting the pieces following the numbered labels. Clean the frame and place it on a clean surface. Carefully remove the graphic and place it around the bottom of the frame, slits on underside of graphic. Pull the cover carefully over the frame and close all zippers. When breaking system down, be sure to fold or roll the graphic neatly and place in bag.



Step 8.

Lock VE-46s to canopy through slits in graphic. Attach completed canopy by sliding the VE-46 into the vertical posts.



Check out these related products:



Linear Kiosk 01



Linear Kiosk 02



Linear Kiosk 03



Linear Kiosk 04
