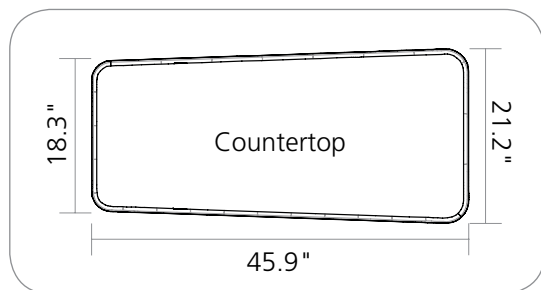


# V-Leg Counter

## LN-CU-02

Dress up your space with sophisticated and functional counters. Counter tops are available in four thermoform finishes – silver, black, mahogany, and natural. Printed graphic panels are available in four laminate colors – dove gray, black, designer white, and fusion maple. Custom counter top colors and graphic colors are available.



We are continually improving and modifying our product range and reserve the right to vary the specifications without prior notice. All dimensions and weights quoted are approximate and we accept no responsibility for variance. E&OE. See Graphic Templates for graphic bleed specifications.

## features and benefits

- Custom appearance
- Easy to assemble
- Table top available in four finishes
- Locking door
- Internal shelf
- Installation tool included
- Aluminum frame construction
- Custom top and graphic colors available
- Legs can turn 90° for a different look
- Lifetime warranty against manufacturer defects

## dimensions

### Hardware

### Graphic

#### Assembled Unit:

45.9" w x 39.2" h x 21.2" d approx.  
1166mm(w) x 996mm(h) x 538mm(d)

#### Cabinet Front:

Total Visible Opening: 21.31" w x 35.8" h  
541mm(w) x 909mm(h)

#### Interior Cabinet Dimensions:

22" w x 38" h x 12" d approx.  
559mm(w) x 965mm(h) x 305mm(d)

#### Cabinet Back Door:

Total Visible Opening: 17.53" w x 32.18" h  
445mm(w) x 817mm(h)

#### Tabletop Dimensions:

45.9" w x 1" h x 21.2" d approx.  
1166mm(w) x 25mm(h) x 538mm(d)

#### Cabinet Sides:

Total Visible Opening: 11" w x 35.8" h  
279mm(w) x 909mm(h)

### Shipping

Refer to related graphic template for more information.

#### Shipping Dimensions:

Shipping dimensions: ships in 2 boxes  
Each box: 48" l x 24" w x 4" h  
1219mm(l) x 610mm(w) x 102mm(h)

Approximate Shipping Weight: 55 lbs/25 kg

## additional information

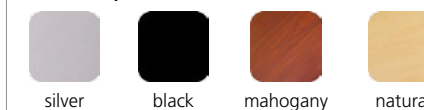
### Graphic Material:

UV prints on 6mm sintra

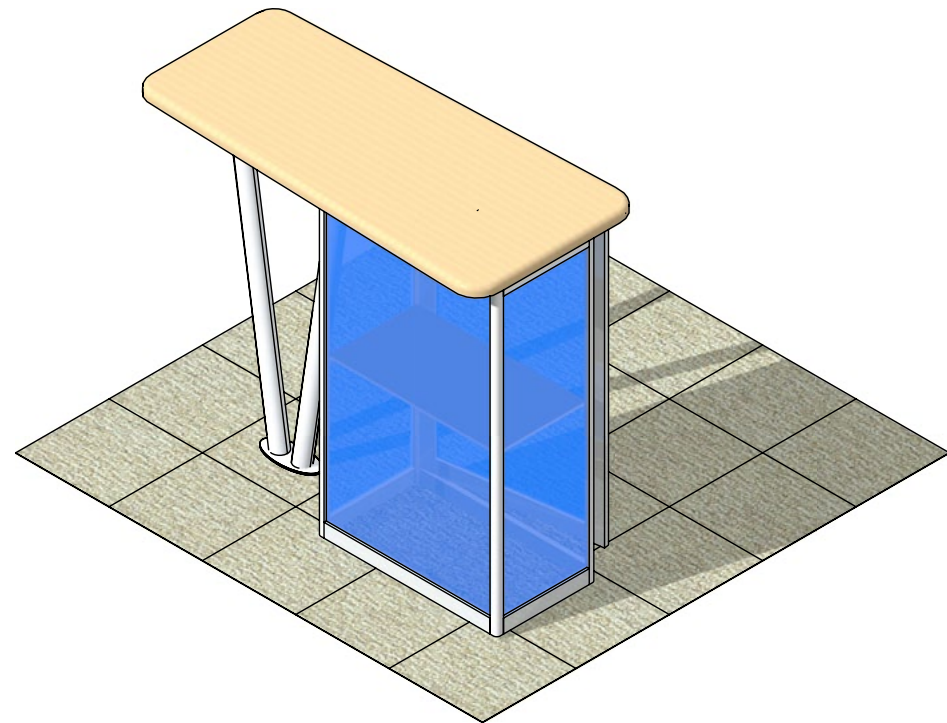
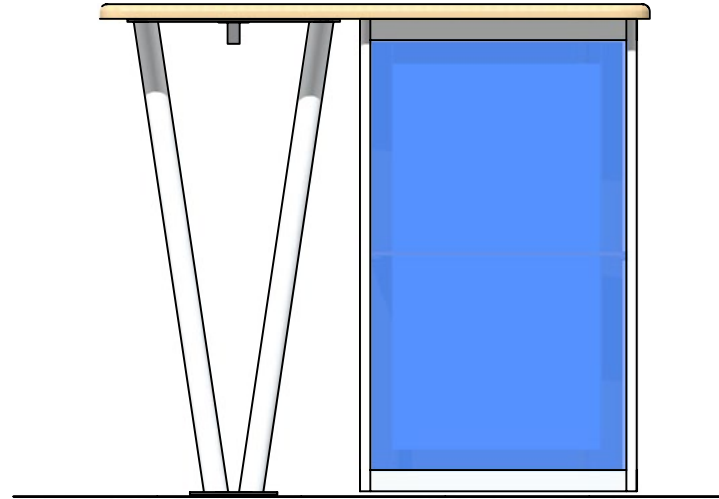
Counter holds max 50 lbs/23 kg

Optional shipping case: OCH2

### Tabletop Colors:

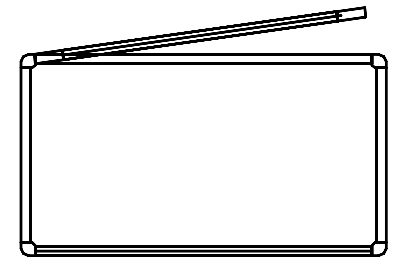
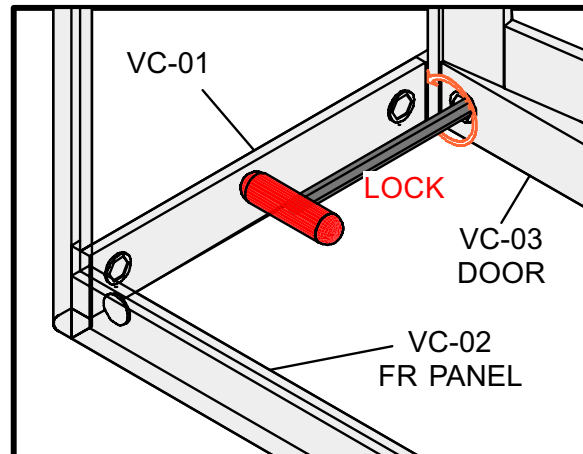
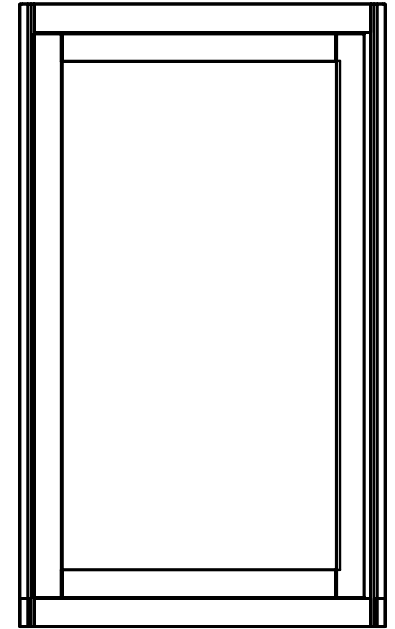
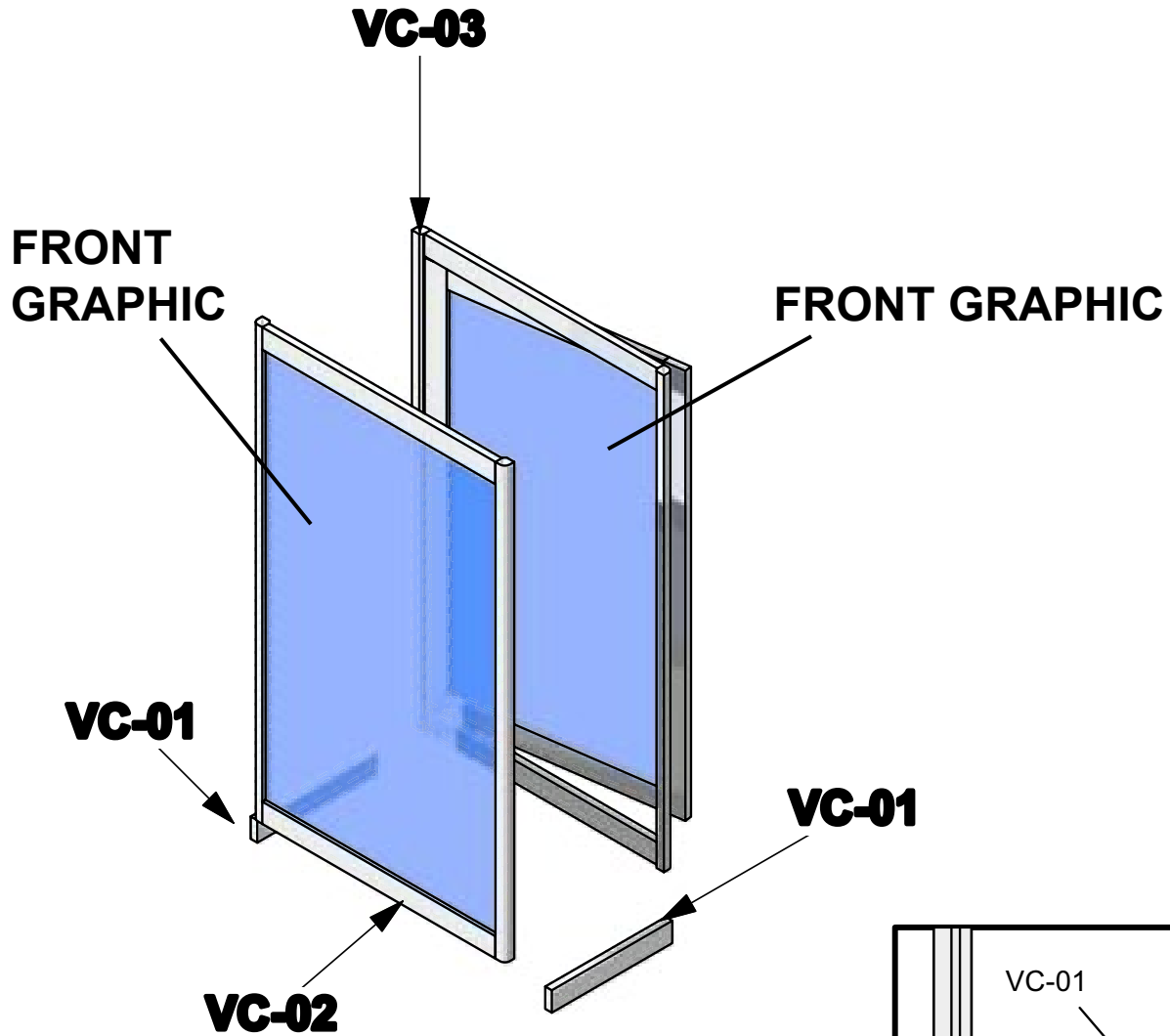


Parts Included		
Part Label	Qty	Part code
VC-01	x4	?
VC-02	x1	CAB-01-FR
VC-03	x1	CAB-01-DR
VC-04	x2	CAB-01-SN-SD
Internal Shelf	x1	?
Shelf Support	x4	?
V-CU-CT-01	x1	?
VL-02	x1	V-LG-02
Front Graphic	x1	-
Back Graphic	x1	-
Side Graphic	x2	-
Tool kit	x1	V-TK-01



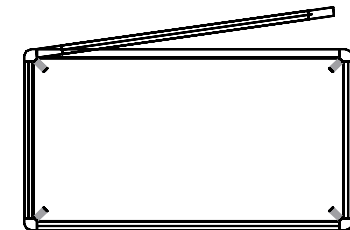
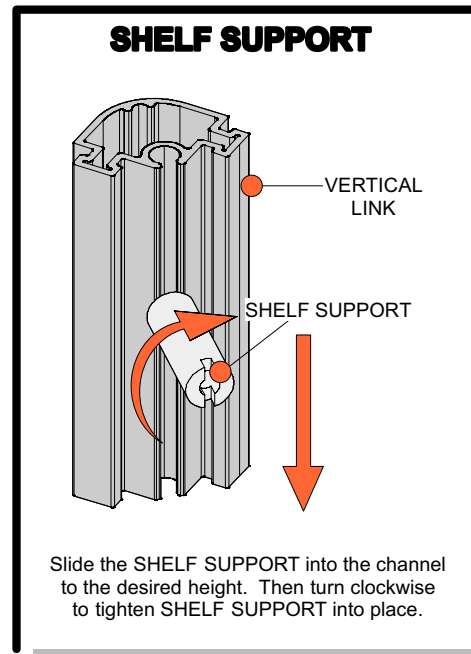
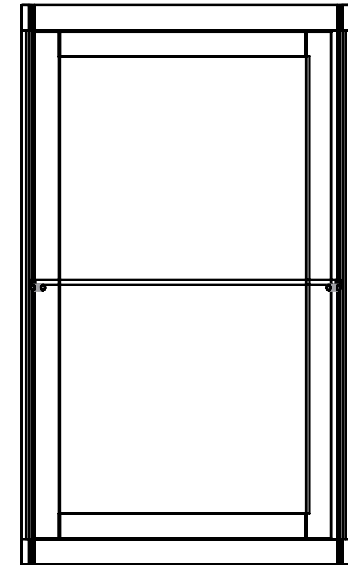
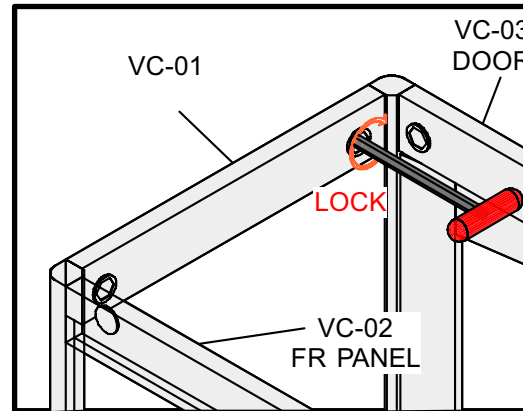
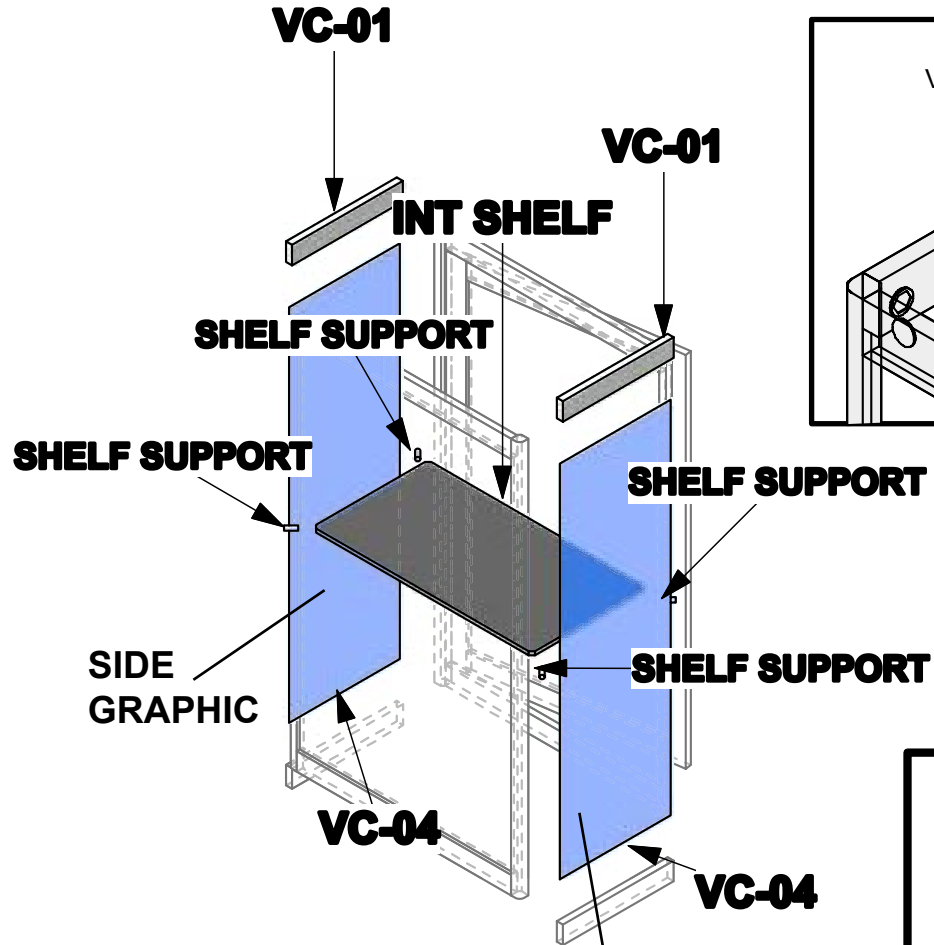
Step 1.

Assemble counter frame and insert front and back graphics.

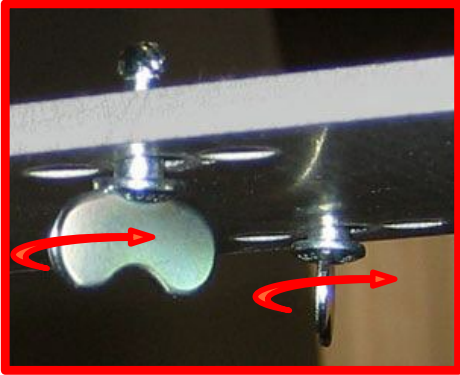


Step 2.

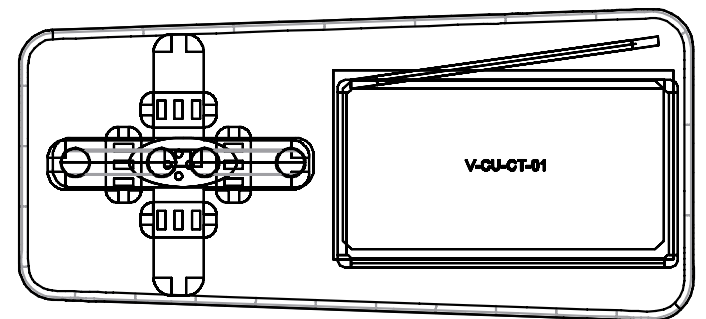
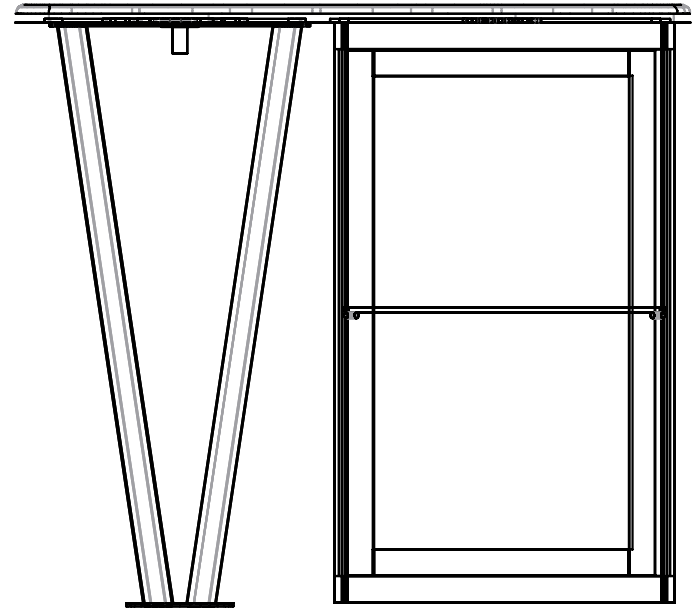
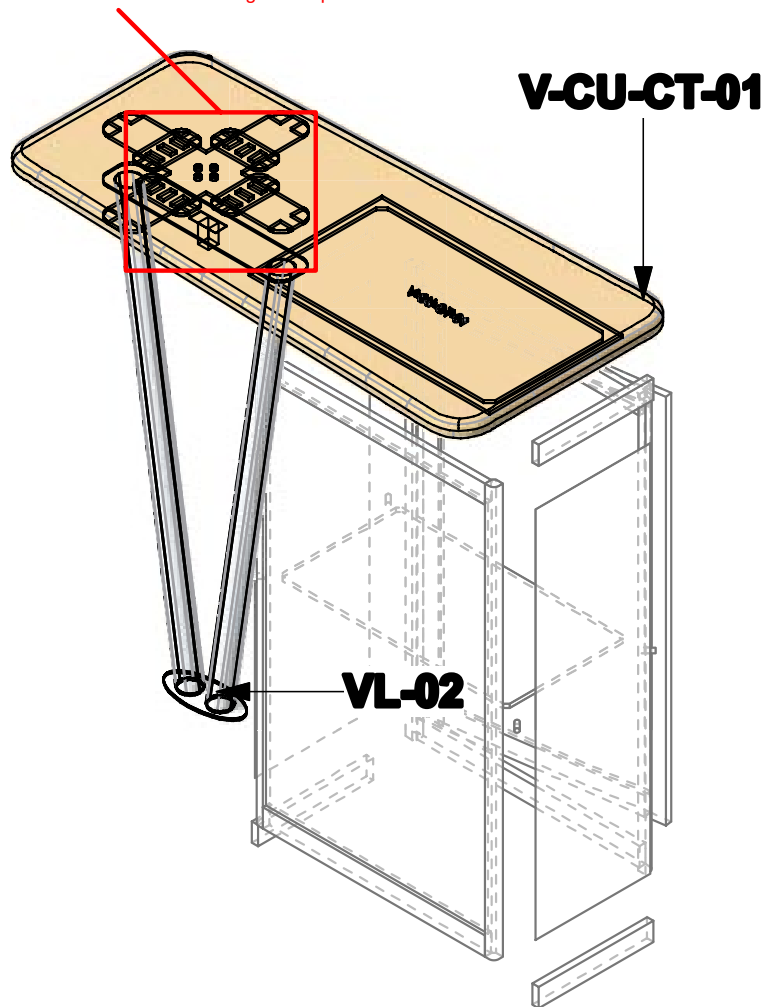
Add shelf and side panels. Continue to build frame upwards.



Step 3.  
Complete unit by attaching counter top.



Insert the thumb connector into the bottom of the counter top and make a 1/4 turn clockwise to tighten in place.



# Linear Counters

---



X-Leg Counter



V-Leg Counter



Tusk Leg Counter



Oval Counter



Counter - Rectangle



Straight Leg Counter



Double Reception Counter