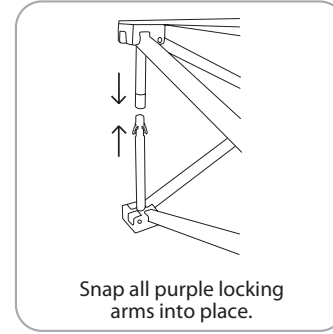
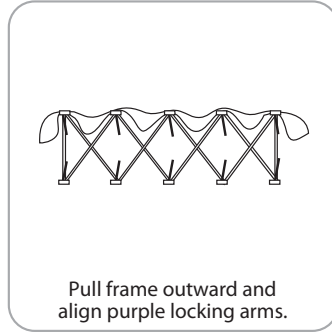
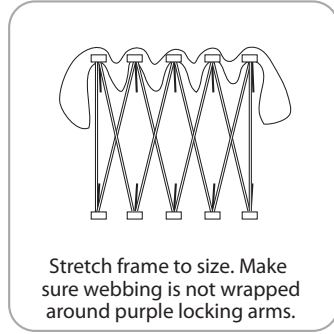
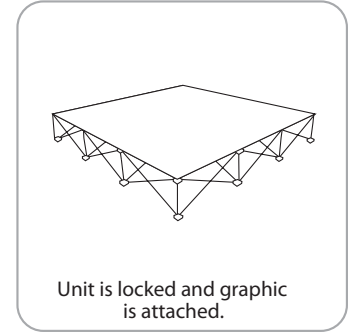


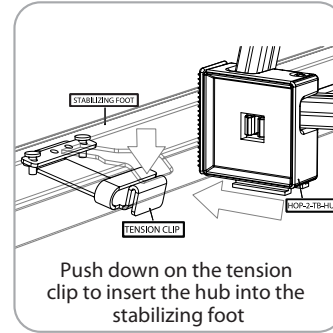
STEP 1: ASSEMBLE FRAME



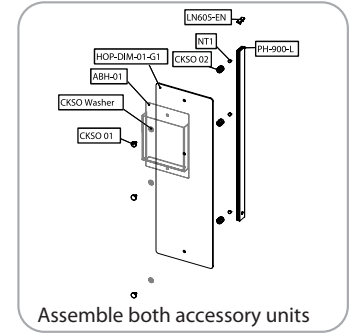
STEP 2: ATTACH GRAPHIC



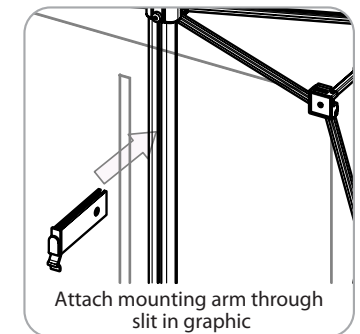
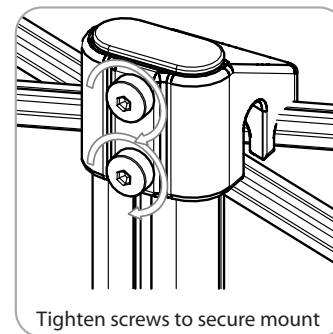
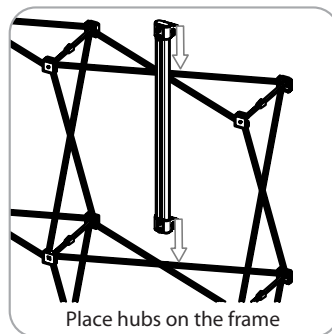
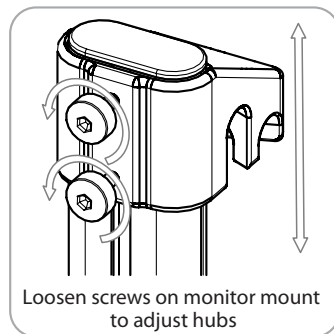
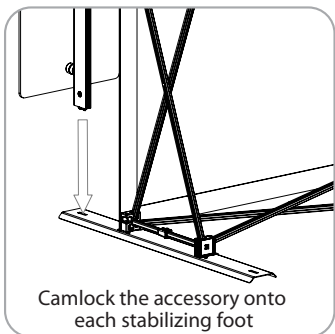
STEP 3: ATTACH STABILIZER FEET

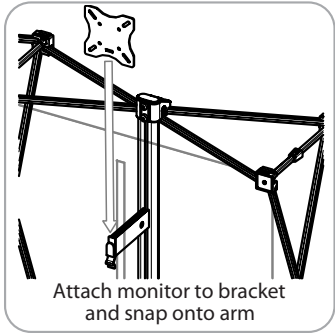


STEP 4: ATTACH GRAPHIC ACCESSORY



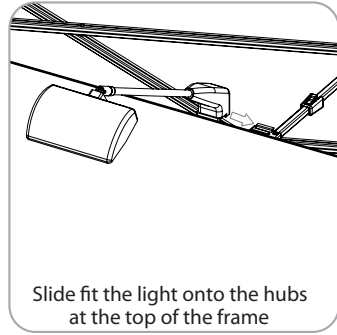
STEP 5: ATTACH MONITOR-MOUNT





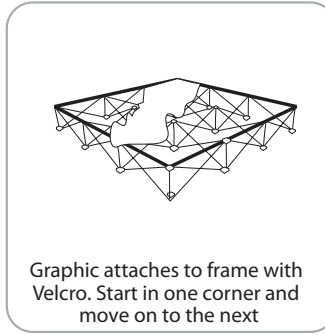
Attach monitor to bracket and snap onto arm

STEP 6: ATTACH LIGHTS

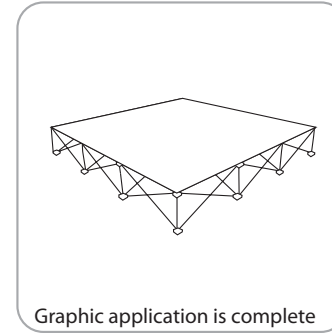


Slide fit the light onto the hubs at the top of the frame

Captivate Graphic Attachment



Graphic attaches to frame with Velcro. Start in one corner and move on to the next

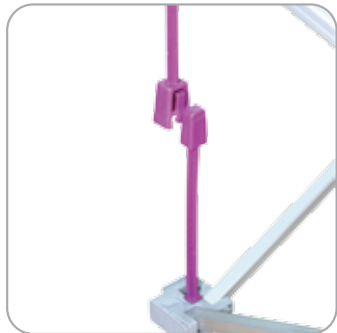


Graphic application is complete

to ensure quality, please note:



If the webbing is wrapped around the purple locking arm, the arm can snap off when opening the unit.



When setting up, ensure that the arms are aligned. If not, the arms will snap when pressure is applied.



When packing unit in the bag, ensure that the strap is not partially wrapped around an arm. If it is, the arm will snap when pulled out of the bag.



When placing in a non-roller bag, ensure that arms are not outside of the bag.



Do not use the purple locking arm to lift unit. ALWAYS lift by the frame.