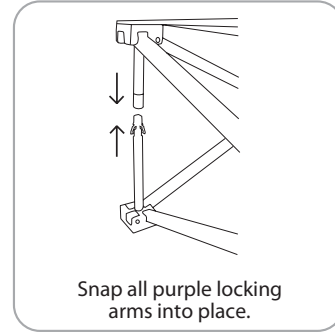
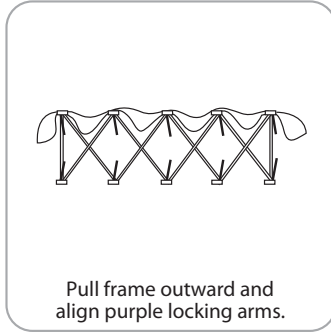
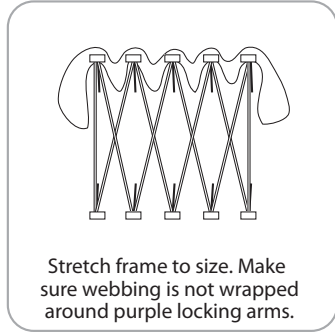
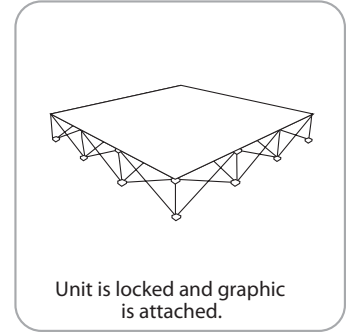


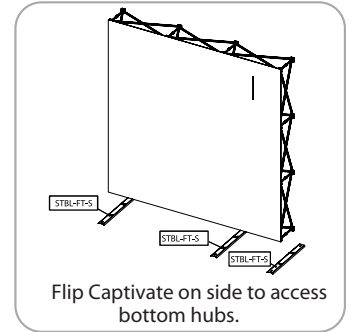
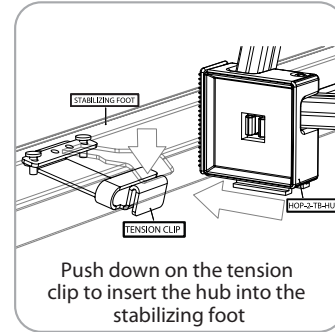
### STEP 1: ASSEMBLE FRAME



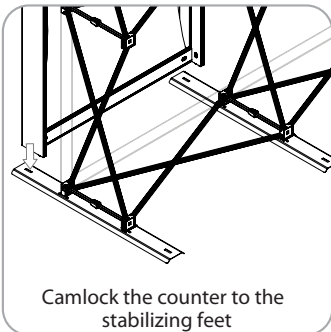
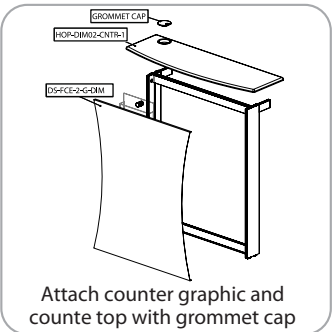
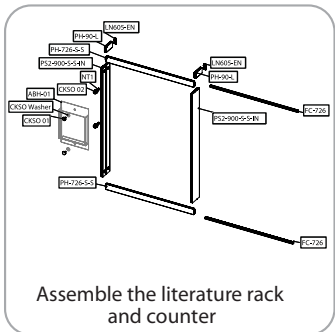
### STEP 2: ATTACH GRAPHIC



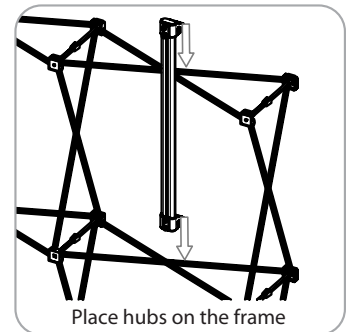
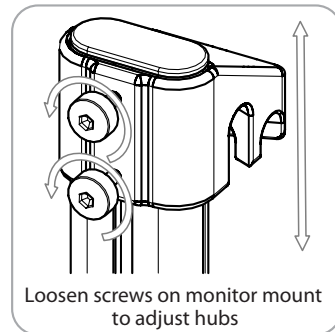
### STEP 3: ATTACH STABILIZER FEET

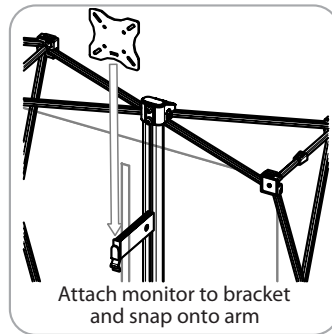
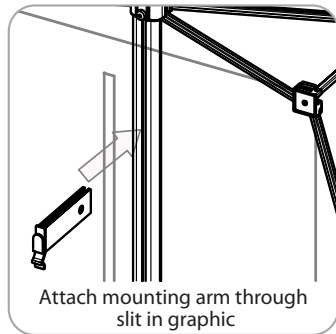
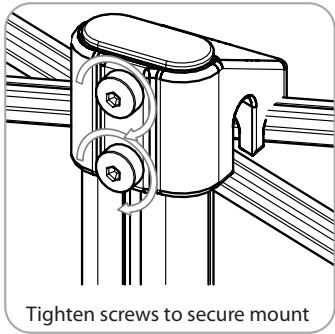


### STEP 4: ASSEMBLE COUNTER

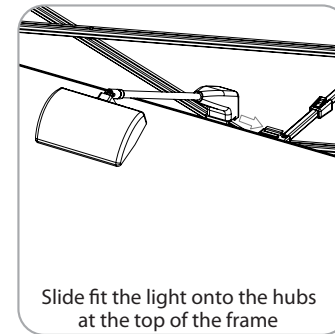


### STEP 4: ATTACH MONITOR MOUNT

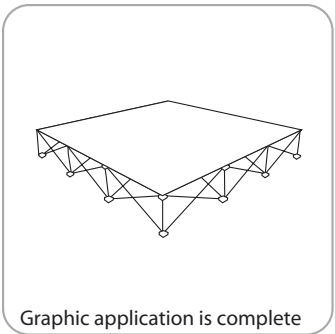
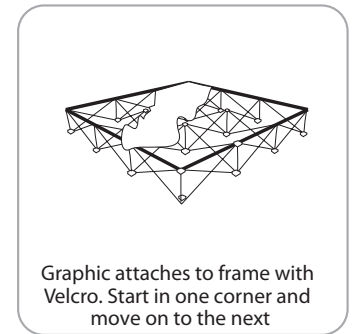




### STEP 6: ATTACH LIGHTS



### CAPTIVATE GRAPHIC ATTACHMENT



to ensure quality, please note:

