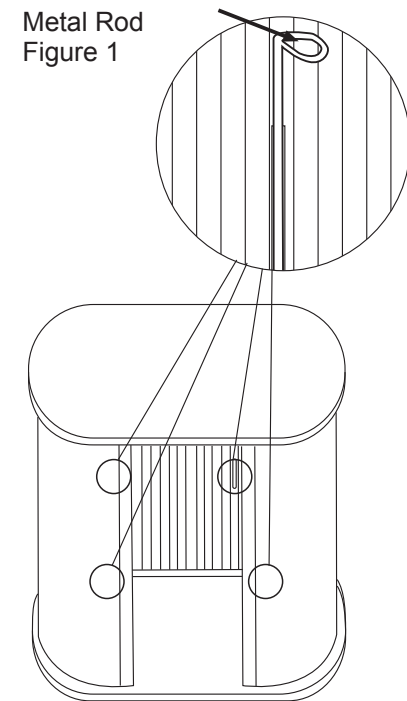
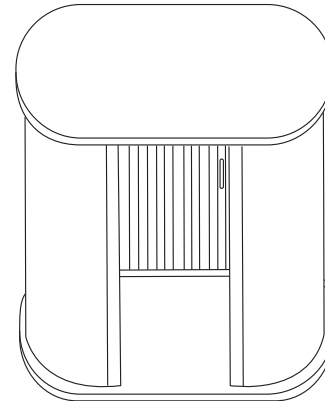
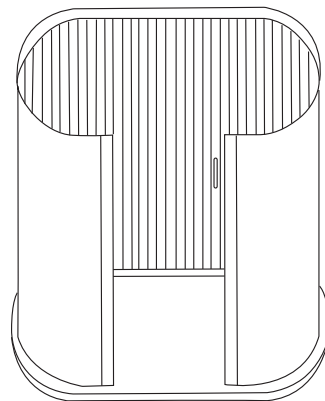
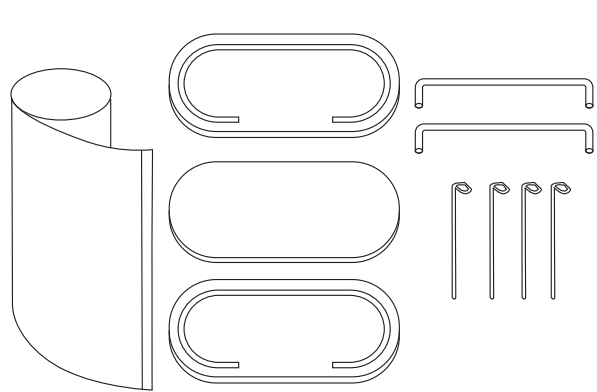
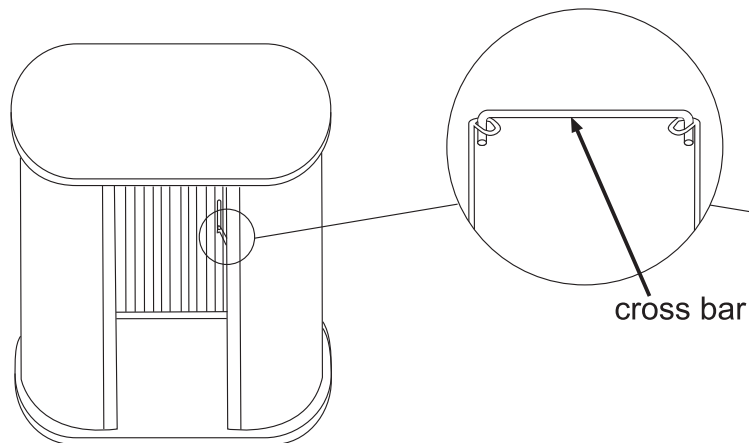


Campaign Portable Trade Show Counter

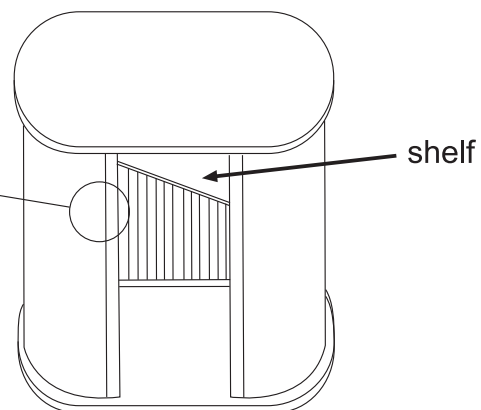


2. Align and place the top counter in the PVC plastic. Make sure the PVC plastic is firmly attached to the velcro on top counter.

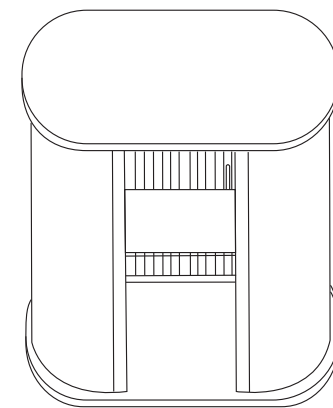
3. Insert the Metal Rods into the holes of the PVC plastic inside walls. Figure 1.



4. Place one cross bar on the metal rod.



5. Insert middle shelf onto the cross bar from step 4.



6. Insert the second cross bar to support shelf.