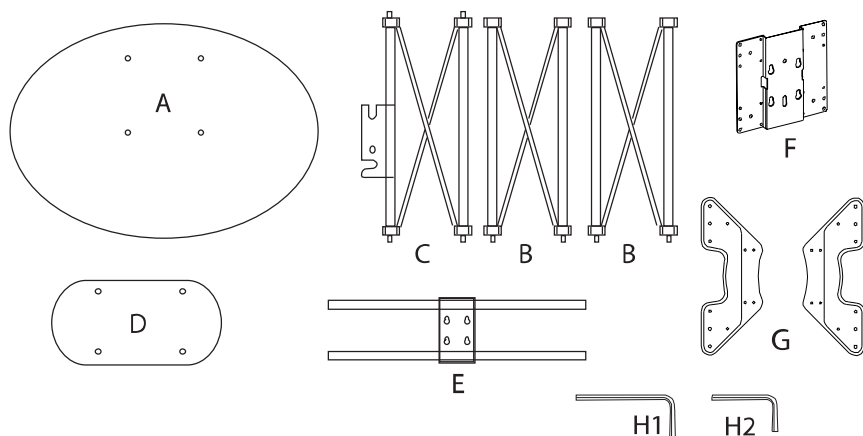
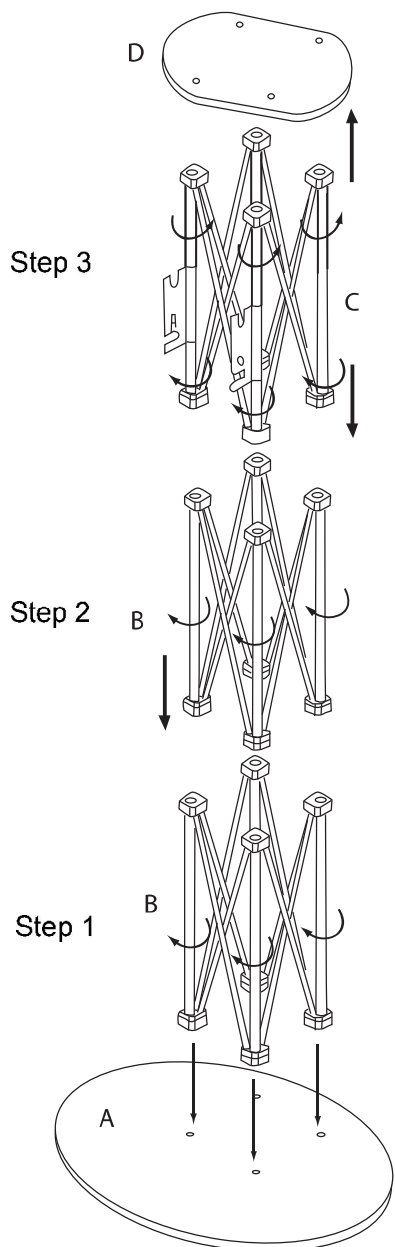


CiERA EZ FOLD PORTABLE™ TV STAND

Thank you for purchasing the CiERA EZ Fold Portable™ flat panel TV Stand. Our folding truss stand is designed to accommodate flat panel TV's from 17" to 70" diagonal weighing up to 80 pounds. No additional tools are required for assembly.



Part	ID	Qty
Base	A	1
Truss	B	2
Top Truss	C	1
Top plate	D	1
Rail	E	1
VESA 200 x 200	F	1
VESA 400 x 400	G	2
Allen Key	H1	1
Allen Key	H2	1
Carry Bag (not shown)		1



See Figure 1 (left) for steps 1-3.

Step 1.

Place Base (A) on floor. Expand one of the Truss (B) on top of base aligning screws with holes.

Twist each Truss pole clock-wise in half turn increments. Repeat until tight.

Step 2.

Expand the next Truss (B) and align with existing Truss (B).

Twist each Truss pole clock-wise in half turn increments. Repeat until tight.

Step 3.

Expand Top Truss (C) and align with middle Truss (B).

Twist each Truss pole clock-wise in half turn increments. Repeat until tight.

Align Top Plate (D) with top of Truss (C). Twist the top of each Truss pole (C) counter-clockwise in half turn increments. Repeat until tight.

Figure 1

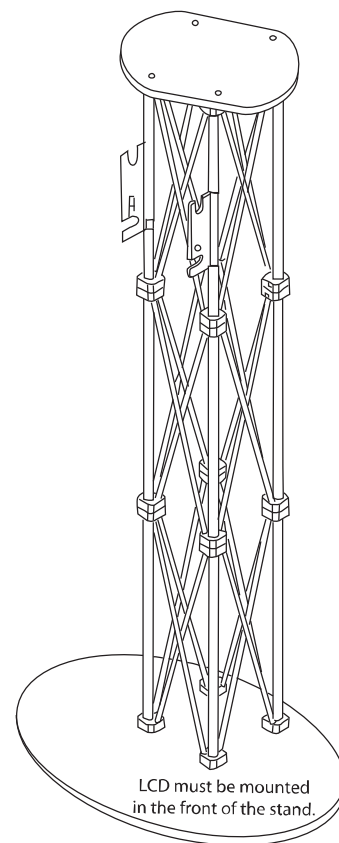


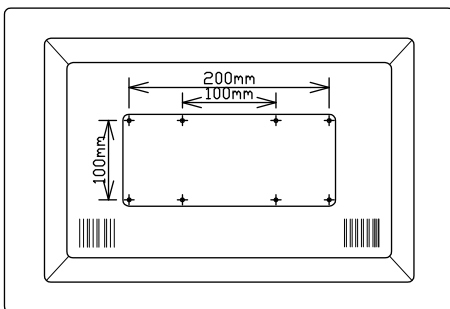
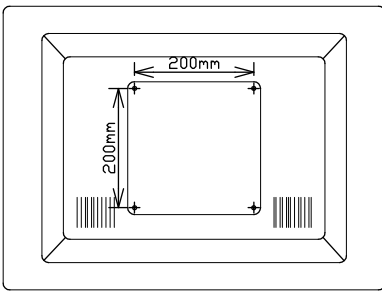
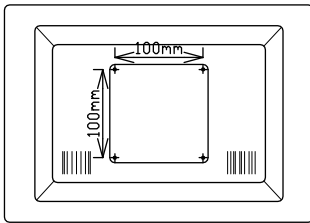
Figure 2

CiERA EZ FOLD PORTABLE 200™ VESA BRACKET

Thank you for purchasing the CiERA EZ Fold Portable 200™ VESA Bracket. This VESA bracket can be fitted to almost all of the major Plasma or LCD with 100*100 to 200*200 standard holes patterns, and it is easily to be assembly with screws holes of the back of your tv, diagonal weighing up to 70 pounds.

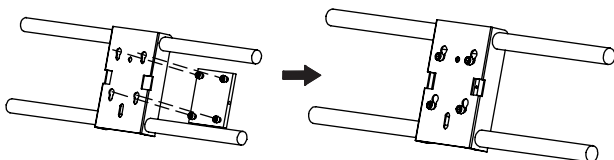
Step 1.

The pictures show the standard holes patterns.



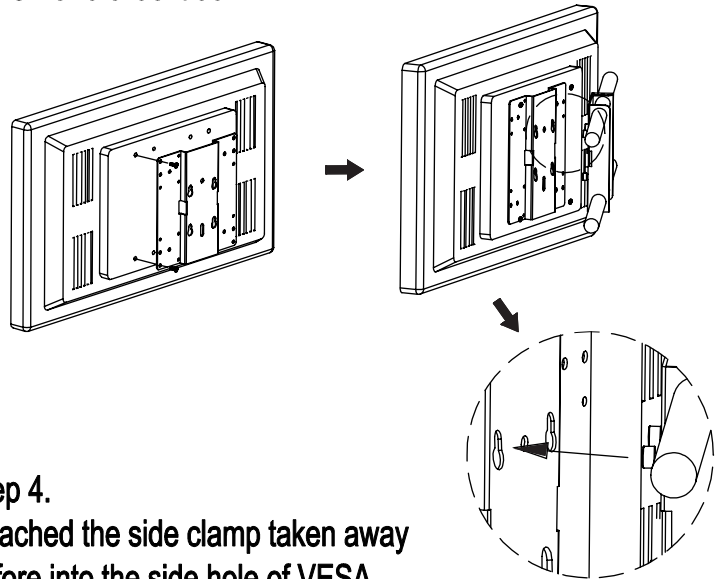
Step 2.

Take away the side clamp in the left of the bracket. Align the keyholes in the Mid Bracket of Rail with the screws of bracket and slide the bracket down.



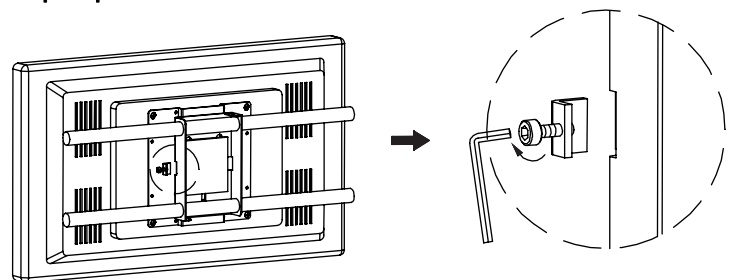
Step 3.

Align the keyholes of VESA with holes on back of TV and tighten with screws provided. Once the VESA assembled with TV, align the bolts of mid bracket of rail with the keyholes of VESA and slide it down.



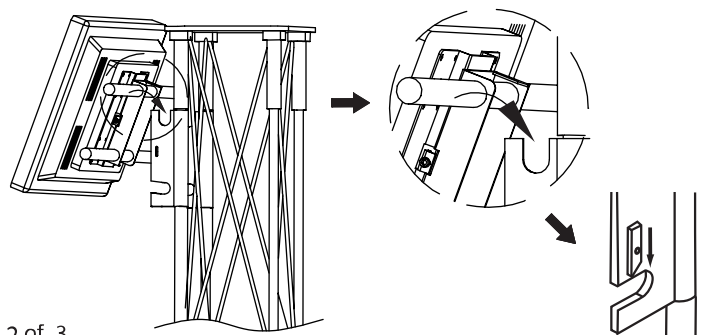
Step 4.

Attached the side clamp taken away before into the side hole of VESA, and tighten the screw to lock the side clamp in place.



Step 5.

Place rail on top truss bracket Tighten the set screw of the rail holder to stabilize.

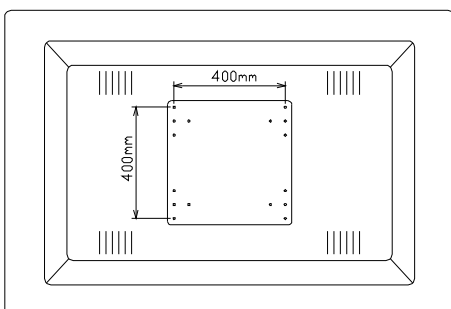
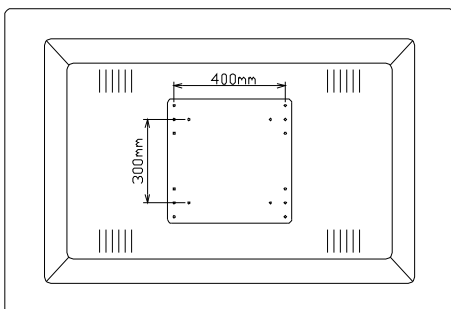
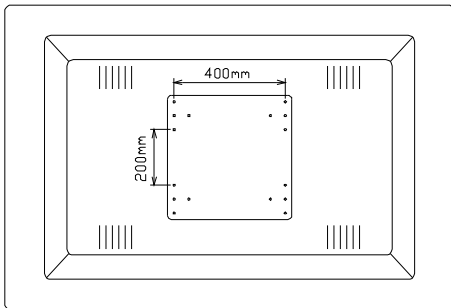
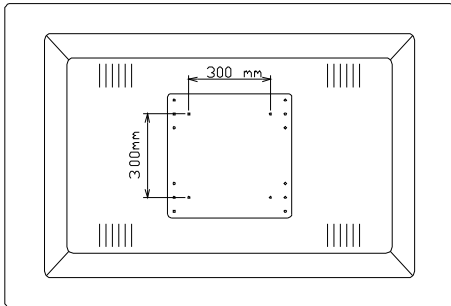


CiERA EZ FOLD PORTABLE 400™ VESA BRACKET

Thank you for purchasing the Fold Portable 400™ VESA Bracket. This VESA bracket can be fitted to almost all of the major Plasma or LCD with 100*100 to 400*400 standard holes patterns, and it easily to be assembly with screws holes of the back of your tv, diagonal weighing up to 90 pounds.

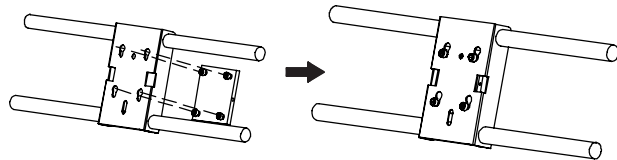
Step 1.

The pictures show the standard holes patterns.



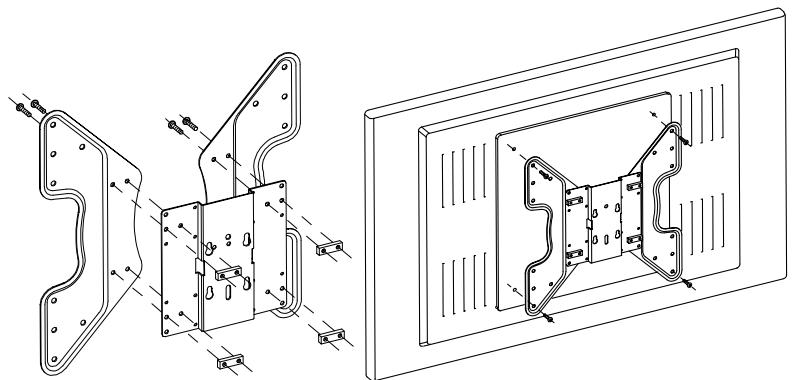
Step 2.

Take away the side clamp in the left of the bracket. Align the keyholes in the Mid Bracket of Rail with the screws of bracket and slide the bracket down.



Step 2.1.

Align the VESA bracket keyholes with the holes of the VESA wings, use the Allen key to tighten with the screws provided, and then Align the keyholes of the assembled 400*400 VESA with the screws holes on the back of TV, use the Allen key to tighten with the screws provided.



Step 3 .

As the assembling steps of 200*200VESA shown on page 3.

Step 4 .

As the assembling steps of 200*200VESA shown on page 4.

Step 5.

As the assembling steps of 200*200VESA shown on page 5.