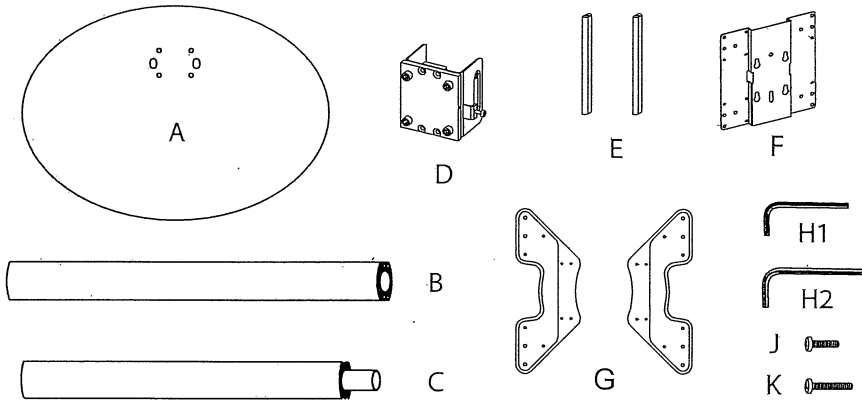
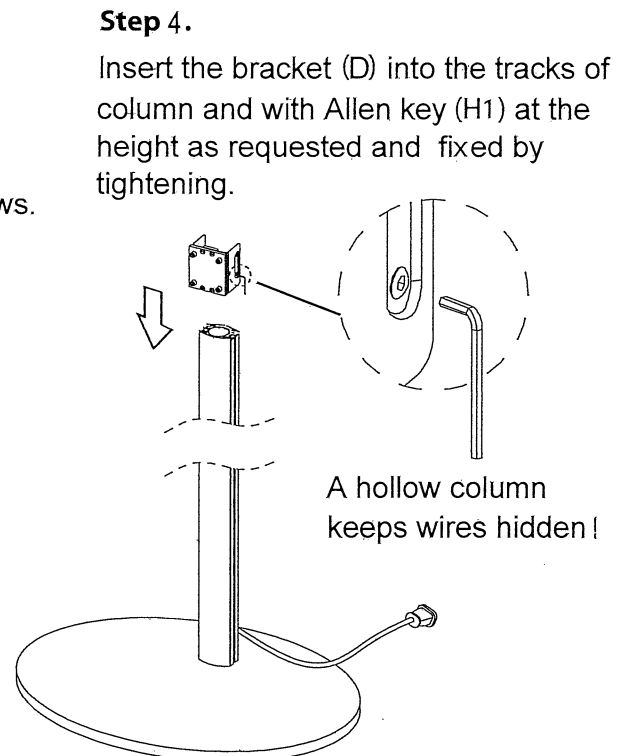
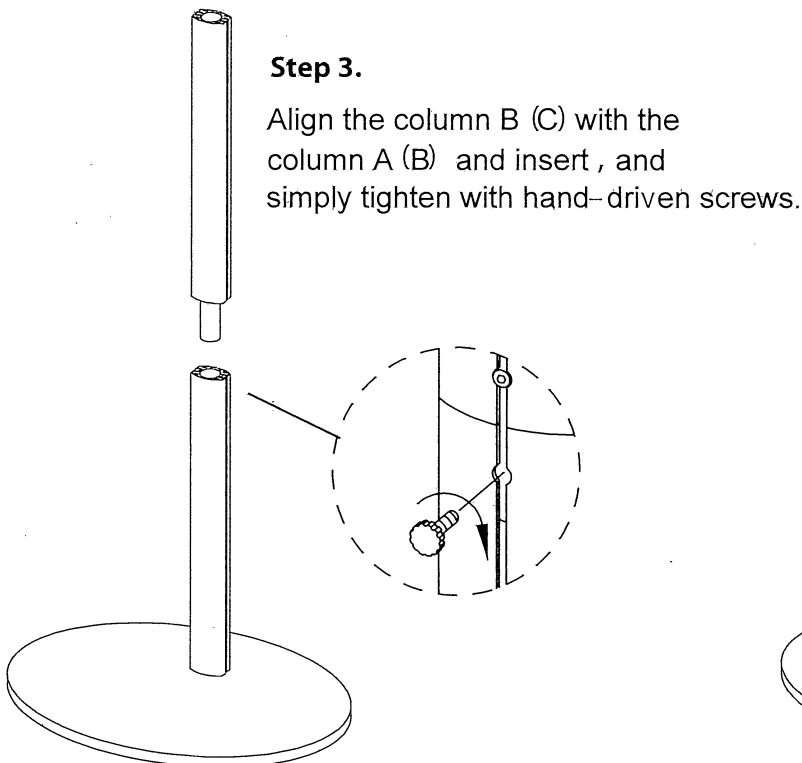
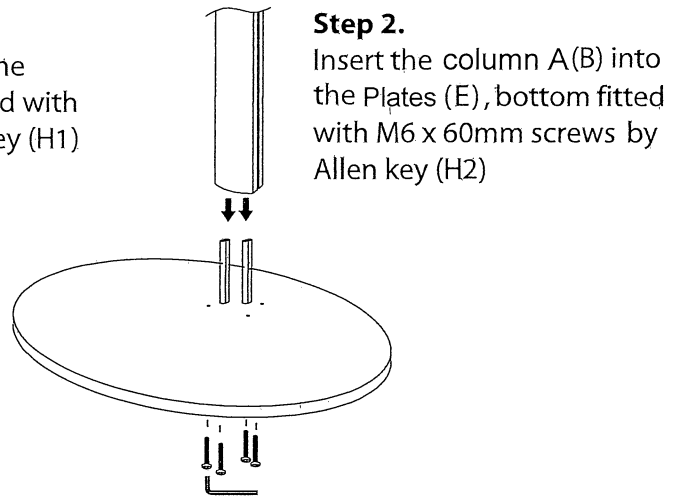
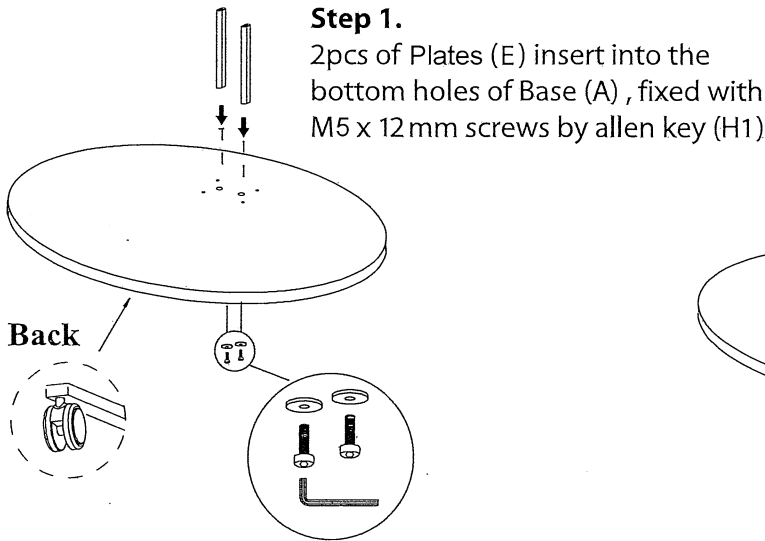


# CiERA MULTI - SECTION™ POSTER TV STAND

Thank you for purchasing the Multi-Section Design TV Stand. This TV stand is designed to accommodate flat panel TVs from 17" to 60" diagonal weighing up to 90 Lbs. The base with casters you can move it freely.



Part	ID	QTY
Base	A	1
Column A	B	1
Column B	C	1
Brackets	D	1
Plates	E	2
VESA 200 x 200	F	1
VESA 400 x 400	G	2
Allen Key	H	2
Screw M5x12mm	J	2
Screw M6x60mm	K	4
Carry Bag	Not shown	

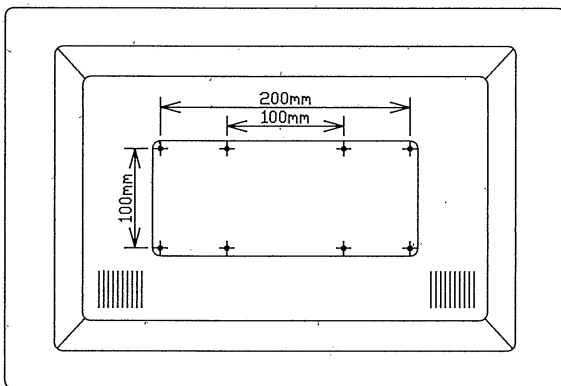
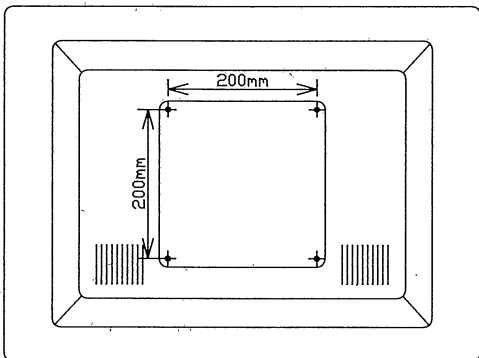
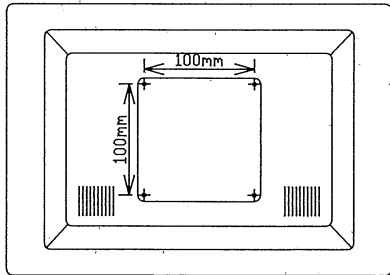


# STAND TALL 200™ VESA BRACKET

Thank you for purchasing the Stand Tall 200™ VESA Bracket. This VESA bracket can be fitted to almost all of the major Plasma or LCD with 100\*100 to 200\*200 standard holes patterns, and it is easily to be assembly with screws holes of the back of your tv, diagonal weighing up to 70 pounds.

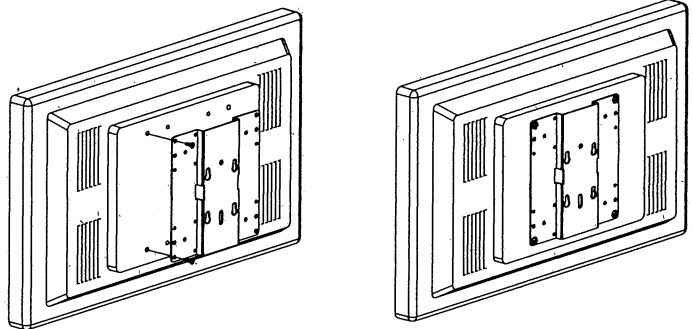
## Step.1

The pictures show the standard holes patterns.



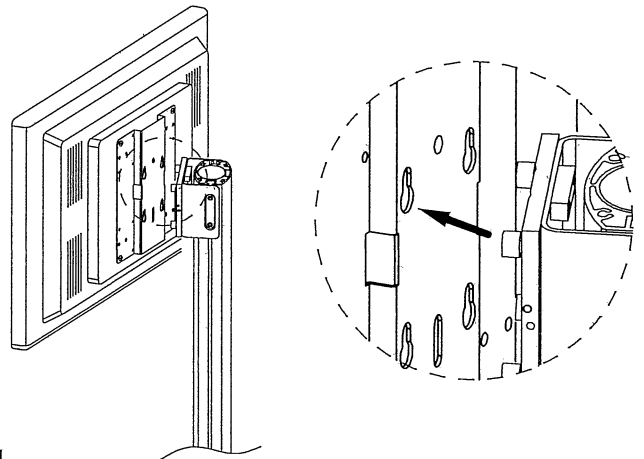
## Step 2.

Align the VESA bracket (E) keyholes with the screw holes on the back of TV, use the Allen key to tighten with the screws provided.



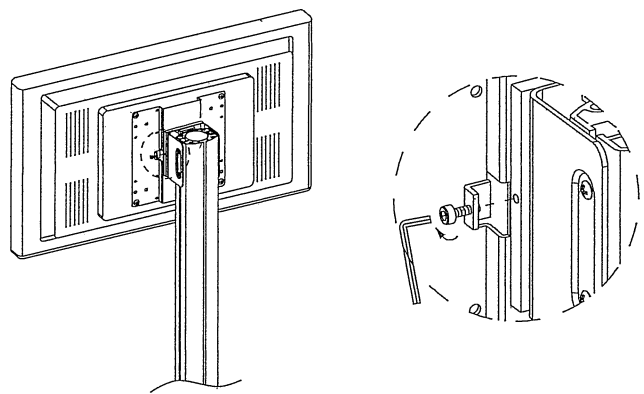
## Step 3.

Take away the side clamp from the plate on column by loosen the screws. Once the TV assembled with VESA bracket, align the back of the tv with the screws on the plate, as picture shown, and align the holes, then slide it down to place.



## Step 4.

Return the side clamp to the side hole of VESA, tighten clamp locking the VESA in position with the Allen Key (H1).

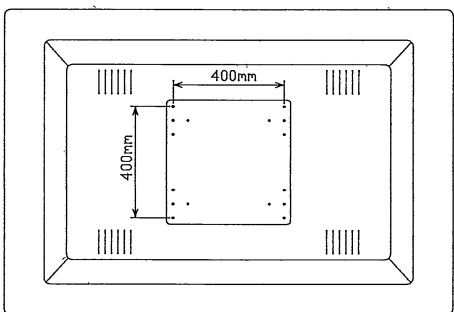
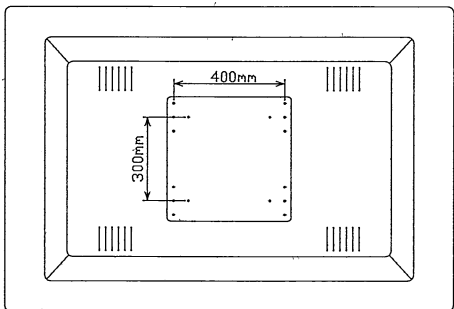
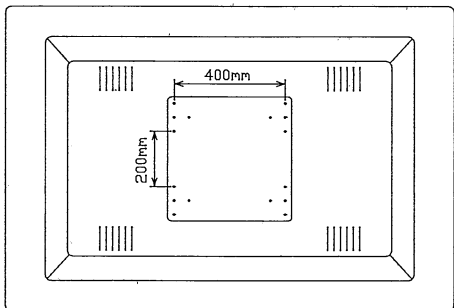
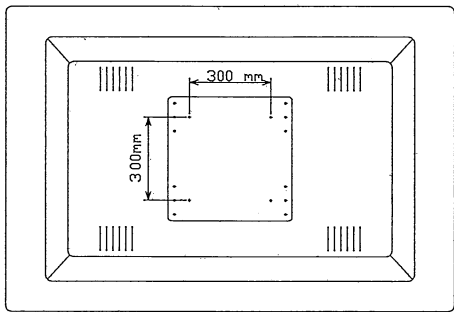


# STAND TALL 400™ VESA BRACKET

Thank you for purchasing the Stand Tall 400™ VESA Bracket. This VESA bracket can be fitted to almost all of the major Plasma or LCD with 100\*100 to 400\*400 standard holes patterns, and it easily to be assembly with screws holes of the back of your tv, diagonal weighing up to 80 pounds.

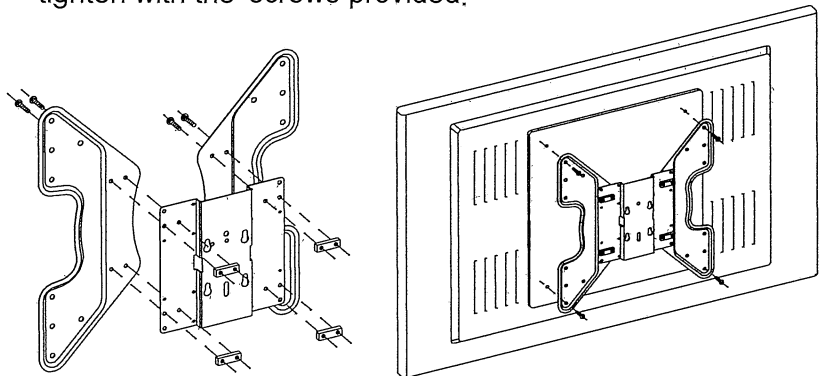
## Step 1.

The pictures show the standard holes patterns.



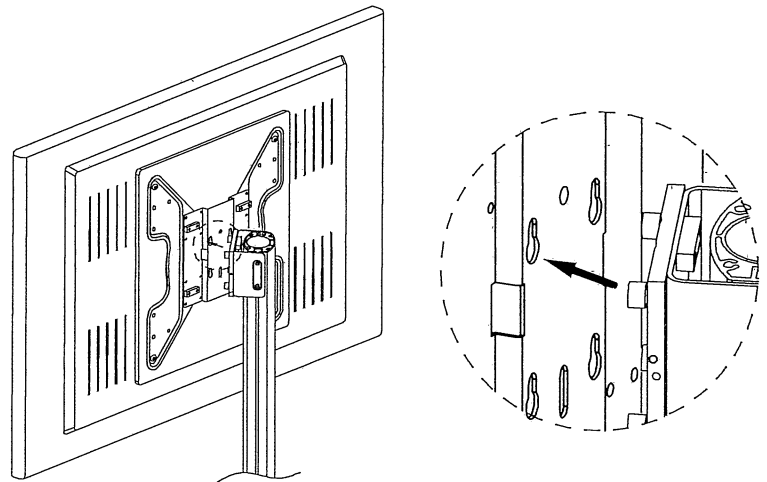
## Step 2.

Align the VESA bracket keyholes with the holes of the VESA wings, use the Allen key to tighten with the screws provided, and then Align the keyholes of the assembled 400\*400 VESA with the screws holes on the back of TV, use the Allen key to tighten with the screws provided.



## Step 3.

As the assembling steps of 200\*200VESA shown on page 2.



## Step 4.

As the assembling steps of 200\*200VESA shown on page 2.

