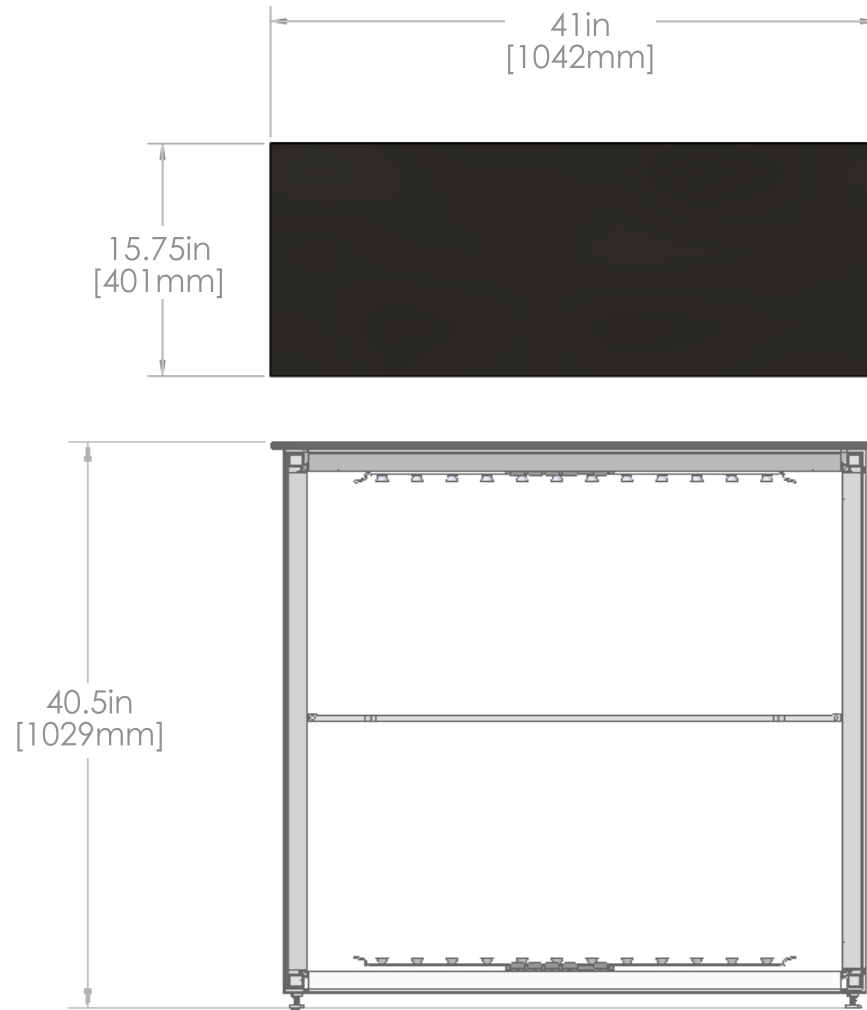


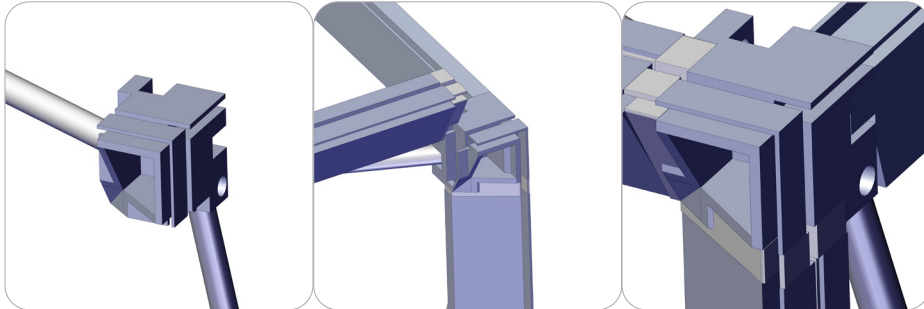
# Dimensions

EMB-2-BL-CT-B



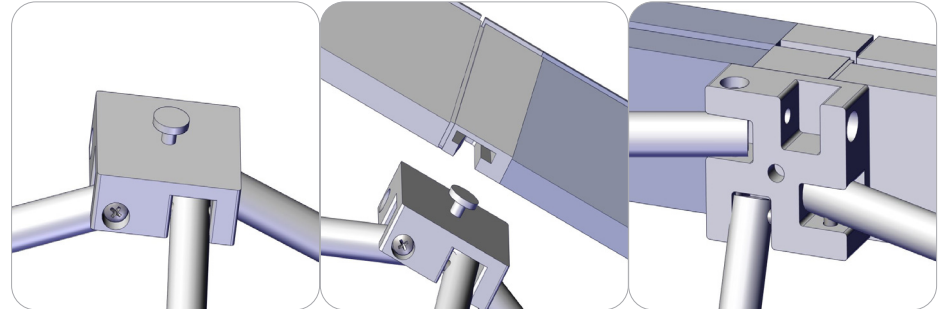
# Connection Methods & Notes

## Connection Method 1: Corner Hub & End Cap



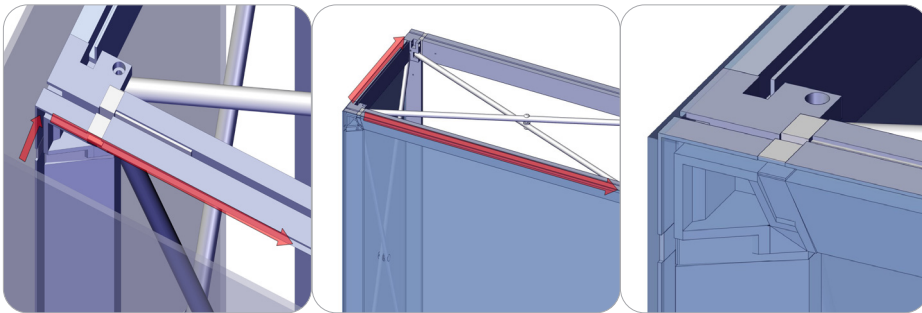
The scissor frames will have this corner hub installed on all four corners, front and back of the frame. This corner hub takes the end caps of the channel bars. The end caps of the channel bar will snap into place.

## Connection Method 2: Middle Hub & Middle Cap

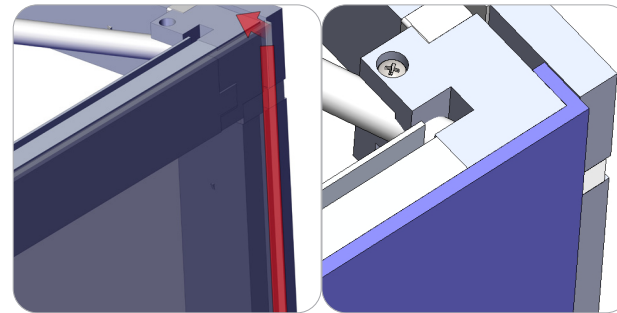


The scissor frames will have middle hubs with a metal prong installed on all four sides front and left and right sides of back. Attach the middle caps of the channel bars onto the middle hubs. The middle caps of the channel bar will snap into place.

## Connection Method 3: Silicon Edge Graphics



To apply the silicone edge graphic, start by pressing the SEG into the top left corner hub of the frame. Continue to press the SEG into the extrusion bar fabric channel. Keep pressing the SEG into the bar fabric channel until you make down to the bottom right corner hub of the frame. This also works for the second printed graphic option on the back side of the frame when horizontal channel bars are installed.



As an optional feature, the front printed graphic may have end cap graphics with silicone edge. Pull the end cap silicone edge to the top of the back corner hub. Start to press in the SEG into the hub and work your way down the side channel. Do the same for the opposite end cap.

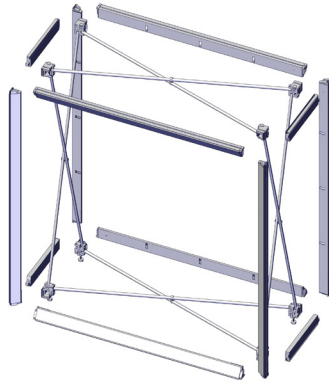
# Kit Assembly

## Step by Step

### Step 1.

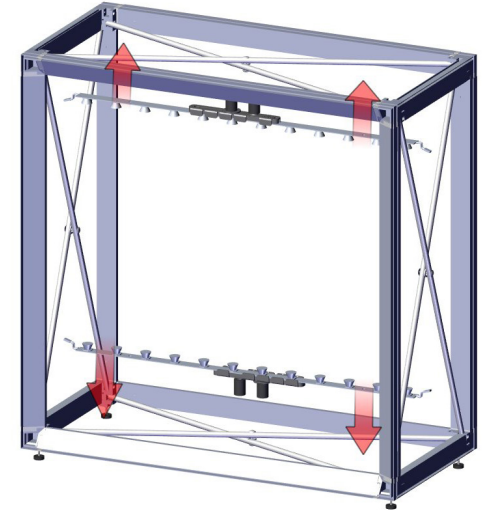
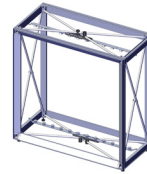
Gather the components to build the Frame. Use the Exploded View and the Labeling Diagram for part labels.

Reference Connection Method(s) 1, 2 for more details..



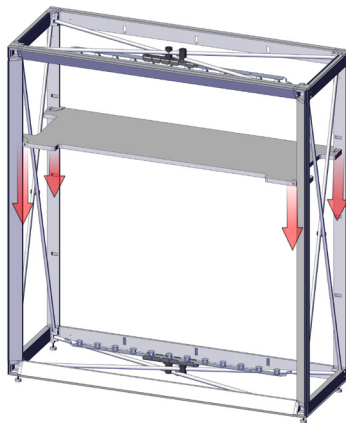
### Step 2.

Gather needed components to install lighting. This is an optional step. Only needed with backlit kits.



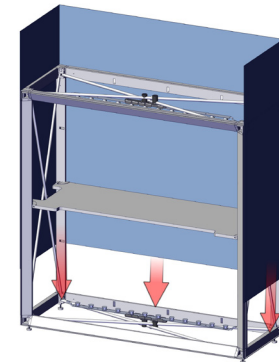
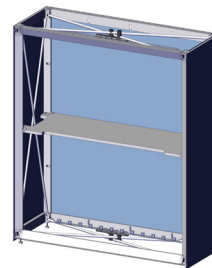
### Step 3. Optional

Gather needed components to install Inner shelf.



### Step 4.

Install graphic. Start at one side and slowly work your way to opposite side of frame. Push fit.



# Kit Assembly

## Step by Step

### Step 5.

Gather the components to attach counter top. Use the Exploded View and the Labeling Diagram for part labels.

Reference Connection Method(s)

