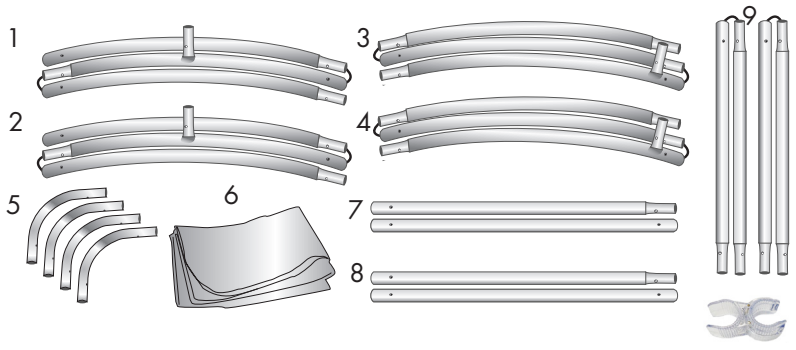


54" Eurofit Swish

Product Parts

- 1 - Top-Left Curved Pole
- 2 - Bottom-Left Curved Pole
- 3 - Top-Right Curved Pole
- 4 - Bottom-Right Curved Pole
- 5 - Corner Poles (x4)
- 6 - Graphic
- 7 - Vertical Center-Right Poles
- 8 - Vertical Center-Left Poles
- 9 - Vertical Left/Right



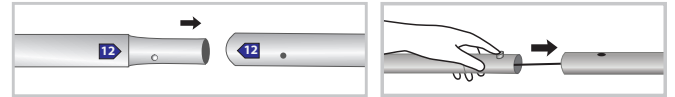
Display Set-Up

Step 1

Begin by removing all parts from the carry case and place on a clean, flat surface. Ensure you have all the components listed above.

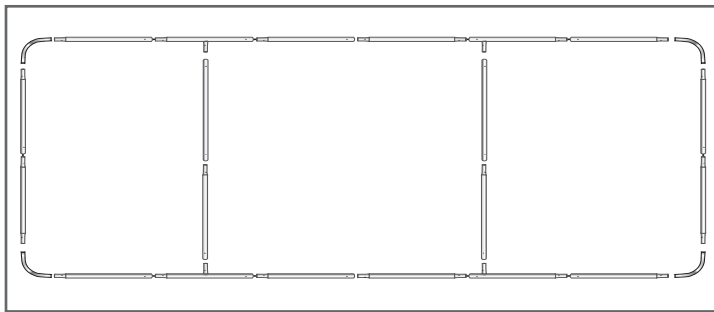
Step 2

Assemble all the poles by connecting the corresponding numbers together while pressing the snap button as shown.



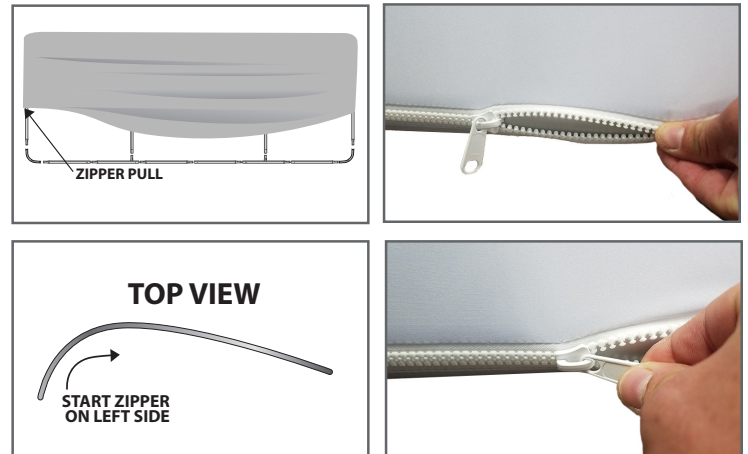
Step 3

Continue to connect the poles illustrated in the image below.



Step 4

With the zipper at the bottom, and the zipper pull on the left, drape the Graphic (6) over the hardware. By holding the two sides of the zipper together, start to zip from the left side and work your way to the right.



Plastic Hinge Connector

Used to connect all Eurofit Displays with 1.25" Diameter Poles.



Storage & Care

Place all product parts into Carry Case and store in a cool dry location. Recommended for indoor use only. Machine wash on gentle cycle using mild detergent. Tumble Dry No Heat. Do NOT dry clean, Do NOT Iron.