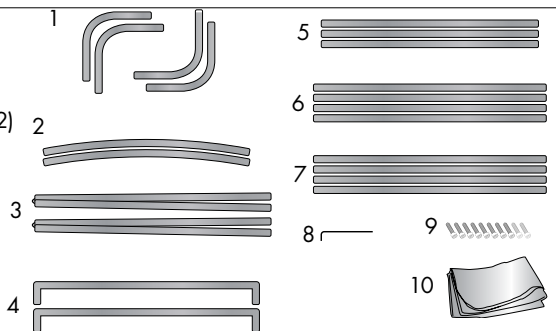


# Eurofit Gateway

## Product Parts

- 1 - Top Curved Corners (x4)
- 2 - Corner Horizontal Support Poles (x2)
- 3 - 2pc Shock-Corded Horizontal Top Poles (x2)
- 4 - Bottom Ends (x2)
- 5 - Horizontal Support Poles (x2)
- 6 - Top Side Poles (x4)
- 7 - Bottom Side Poles (x4)
- 8 - Hex Wrench
- 9 - Threaded bolts (x10)
- 10 - Graphic



## Display Set-Up

### Step 1

Begin by removing all parts from the carry case and place on a clean, flat surface. Ensure you have all the components listed above.

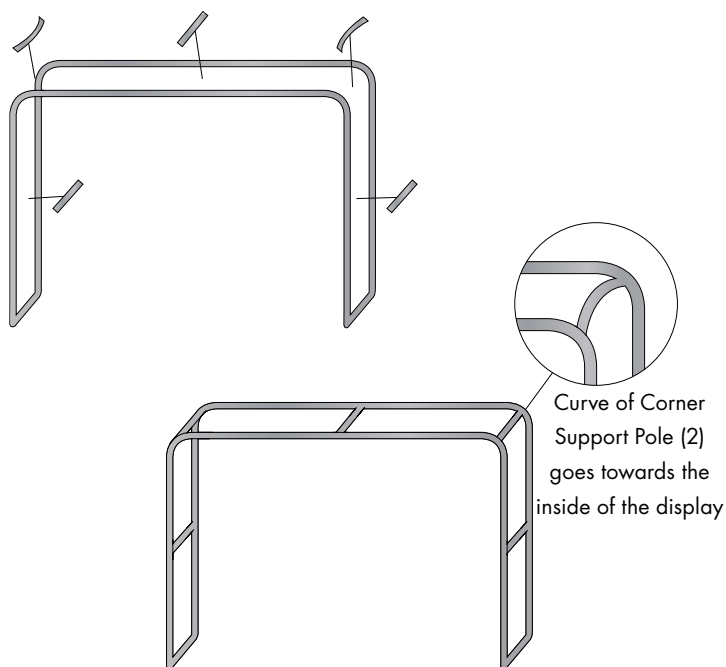
### Step 2

Assemble all poles together by connecting the corresponding number together while pressing the snap button as shown.



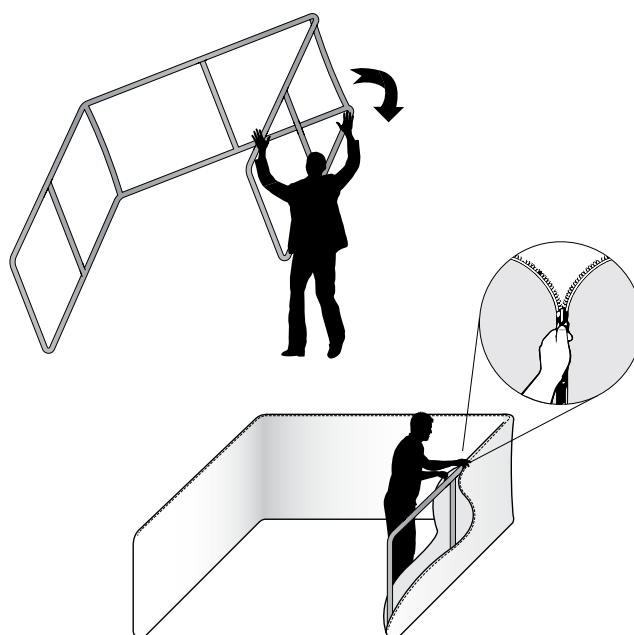
### Step 3

Horizontal Support Poles (5) and Corner Support Poles (2) should be threaded in after all poles are connected using the supplied threaded bolts (9) and Hex Wrench (8).



### Step 4

Now set frame on it's side. Drape graphic (10) over frame and fasten zipper. Stand the Gateway upright to complete assembly of the display.



## Storage & Care

Place all product parts into Carry Case and store in a cool dry location. Recommended for indoor use only. Machine wash on gentle cycle using mild detergent. Tumble Dry No Heat. Do NOT dry clean, Do NOT Iron.