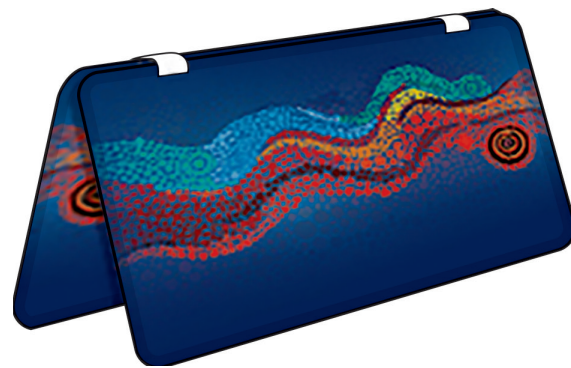


Eurofit A-Frames

Product Parts

- 1 - Corner Ends (x8)
- 2 - Horizontal Poles (x4)
- 3 - Vertical Poles (x4)
- 4 - Support Clamp Poles (x2)
- 5 - Middle Support Bar (x2)
- 6 - Clamps (x2)
- 7 - Double-Sided Graphic (x2)

* 79"W x 37.5"H Parts displays. Other sizes may have less or additional parts



Display Set-Up

Step 1

Begin by removing all parts from the carry case and place on a clean, flat surface. Ensure you have all the components listed above.

Step 2

Assemble all the poles by connecting the corresponding numbers together while pressing the snap button as shown. Larger sizes also come with a Middle Support Bar (5), which is placed in the center of each section.



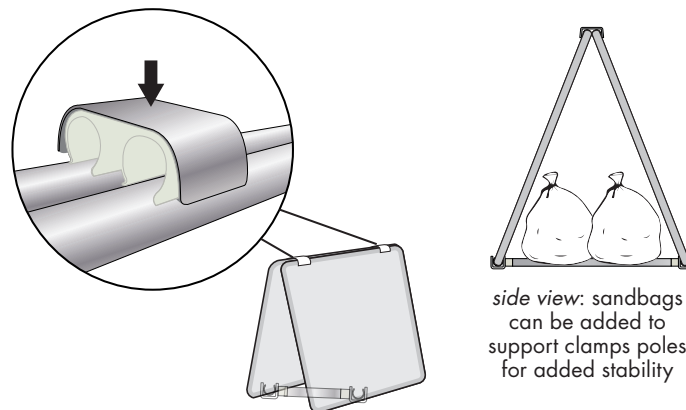
Step 3

Drape the Graphic (7) over the hardware and zip closed. Repeat on back side.



Step 4

Using the clamps (6) and Support Clamp Poles (4) press both front and back sections together to complete assembly of your Eurofit A-Frame



side view: sandbags can be added to support clamp poles for added stability

Three Different Sizes



Storage & Care

Place all product parts into Carry Case and store in a cool dry location.

Machine wash on gentle cycle using mild detergent. Tumble Dry No Heat. Do NOT dry clean, Do NOT Iron.