

Formulate Designer Series 20' Backwall - Kit 11

FMLT-DS-20-11

Formulate® Designer Series 20ft displays have unique stylistic features and shapes, are portable and easy to assemble. The aluminum tube frame features snap-buttons and/ or spigot connections and zipper pillowcase fabric graphics. All displays come in portable, wheeled transit cases. Simply pull the pillowcase fabric graphic(s) over the frame and zip.



features and benefits:

- Premium aluminum tube frames with snap button / spigot assembly
- Easy to store and ship
- Quick to set up
- Weighted feet for added stability
- Zipper pillowcase fabric graphic
- Kit includes: medium monitor mount, can hold 32-55" monitor/ max weight 40lbs, and four literature holders
- Lifetime limited hardware warranty against manufacturer defects

dimensions:

Hardware	Graphic
<p>Assembled unit: 228.82" w x 93.47" h x 32.86" d 5812mm(w) x 2374mm(h) x 835mm(d)</p> <p>Approximate weight with cases: 203 lbs / 92.1 kgs</p>	<p>Refer to related graphic template for more information.</p> <p>Visit: www.exhibitors-handbook.com/graphic-templates</p>
Shipping	
<p>Packing case(s): 3 OCE Cases</p> <p>Shipping dimensions: OCE: Expandable case length (l) may vary 40" - 66" l x 18" w x 18" h 1016mm-1677mm(l) x 458mm(w) x 458mm(h)</p> <p>Approximate total shipping weight (includes cases & graphics): 235 lbs / 106.6 kgs</p>	
additional information:	
Graphic material: dye-sublimation zipper pillowcase fabric	

We are continually improving and modifying our product range and reserve the right to vary the specifications without prior notice. All dimensions and weights quoted are approximate and we accept no responsibility for variance. E&OE. See Graphic Templates for graphic bleed specifications.

Included In Your Kit

Tools, Components, & Connectors



ALLEN KEY SET x1



TC-30-A-TC-30-B-ASY x2



TC-30-T x7



TC-30-90-T x4



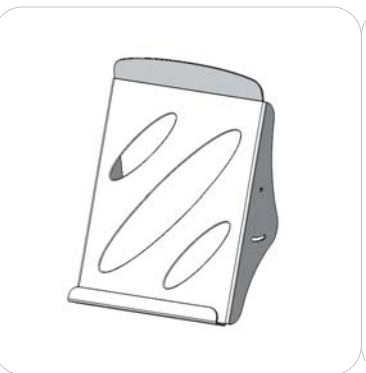
TC-30-X x1



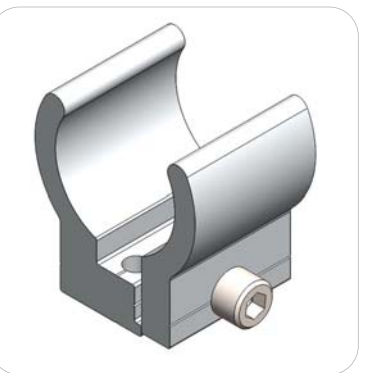
ES30 x6



ES50 x16

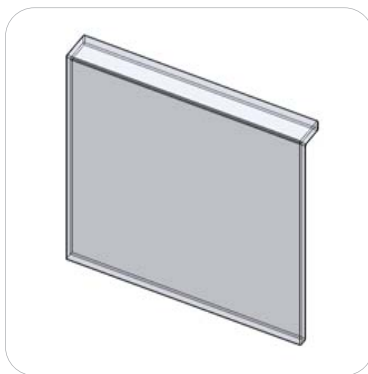


LN112 x4

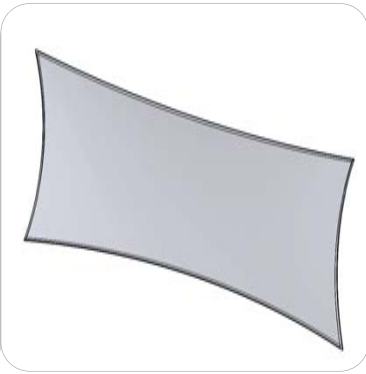


TC-30 x4

Graphics



FMLT-DS-20-11-A-G



FMLT-DS-20-11-B-G

Included In Your Kit

Tubes



DS-20-11-A-T1 x4



DS-20-11-A-T2 x4



DS-20-11-A-T3 x2



DS-20-11-A-T4 x2



DS-20-11-A-T5 x2



DS-20-11-A-T6 x1



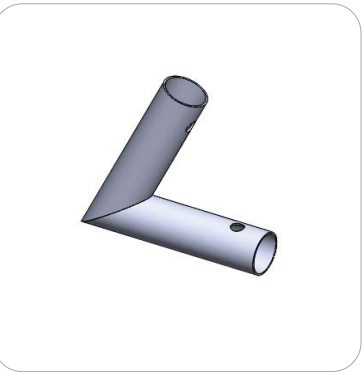
DS-20-11-A-T7 x1



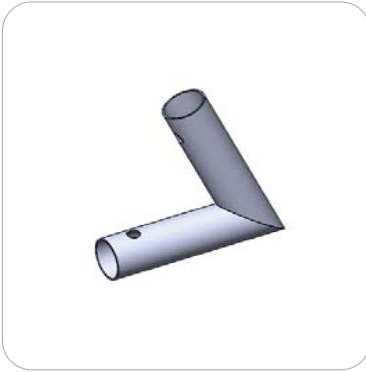
DS-20-11-A-T8 x2



DS-20-11-A-T9 x2



DS-20-10-T1 x1



DS-20-10-T2 x1



DS-20-10-T3 x1



DS-20-10-T4 x1



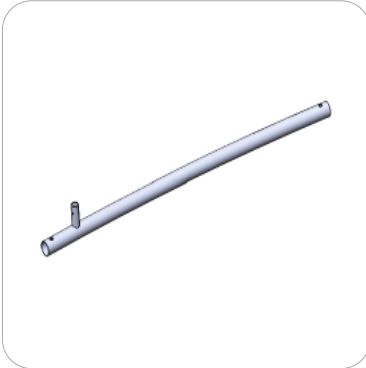
DS-20-10-T5 x2



DS-20-10-T6 x4

Included In Your Kit

Tubes



DS-20-10-T7 x2



DS-20-10-T8 x4



DS-20-10-T9 x1



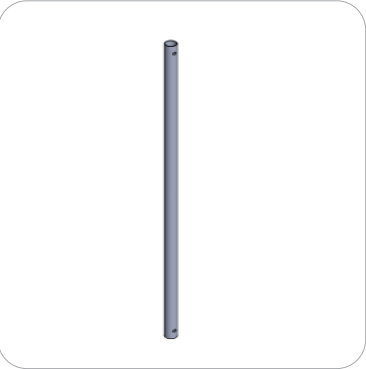
DS-20-10-T10 x1



DS-20-10-T11 x4



DS-20-10-T12 x2



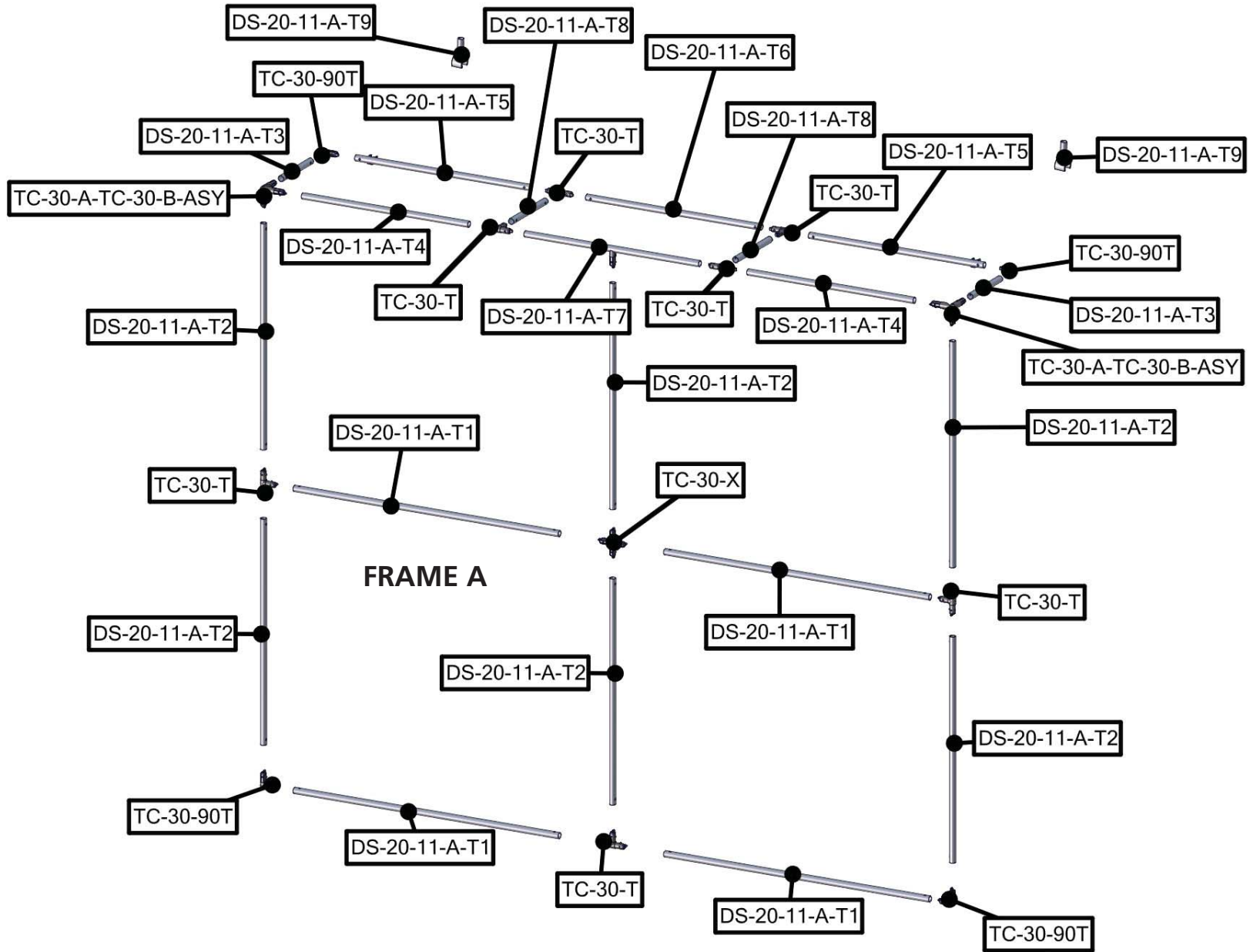
DS-20-10-T13 x2



DS-20-10-T14 x2

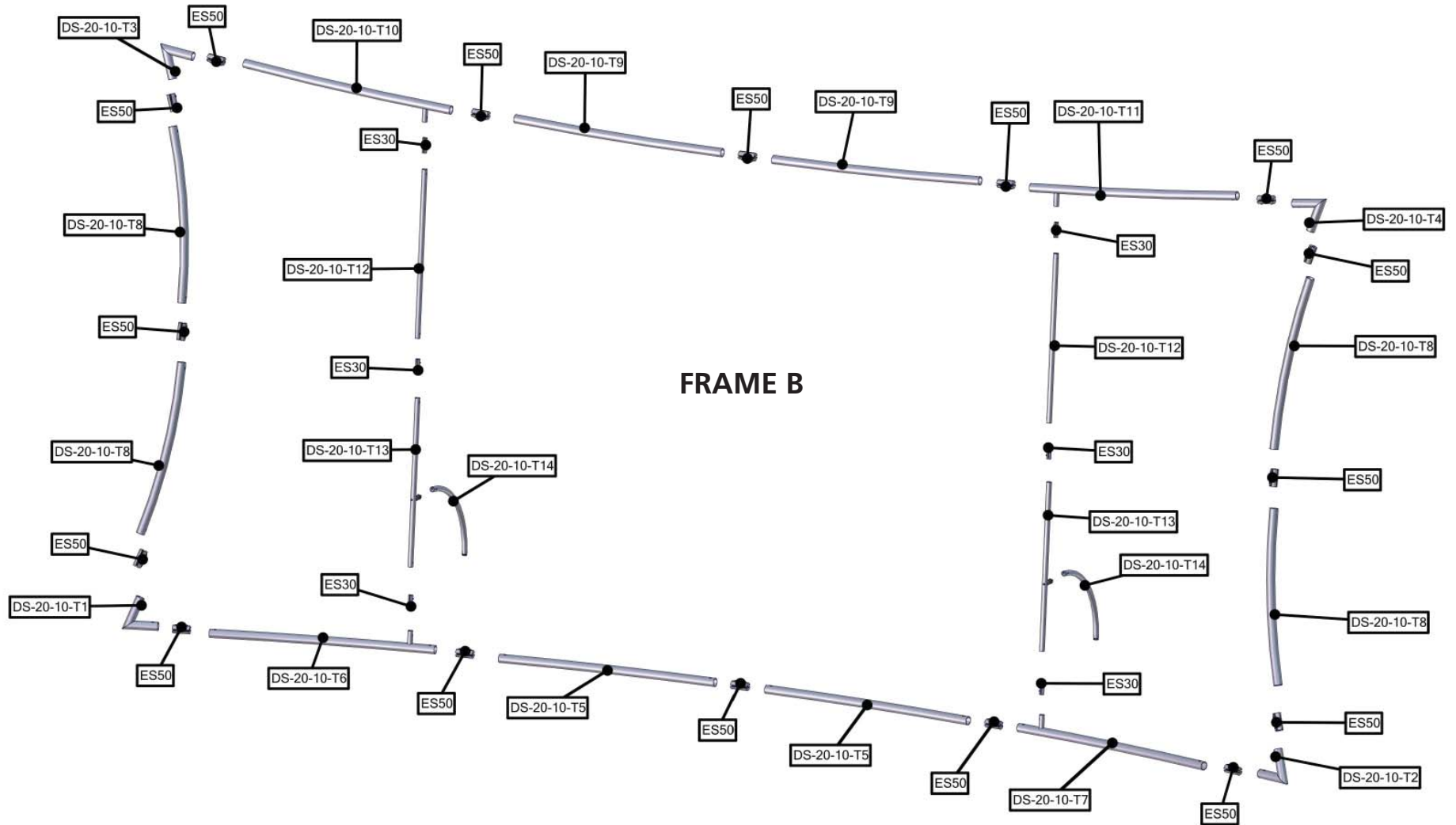
Exploded View

FMLT-DS-20-11



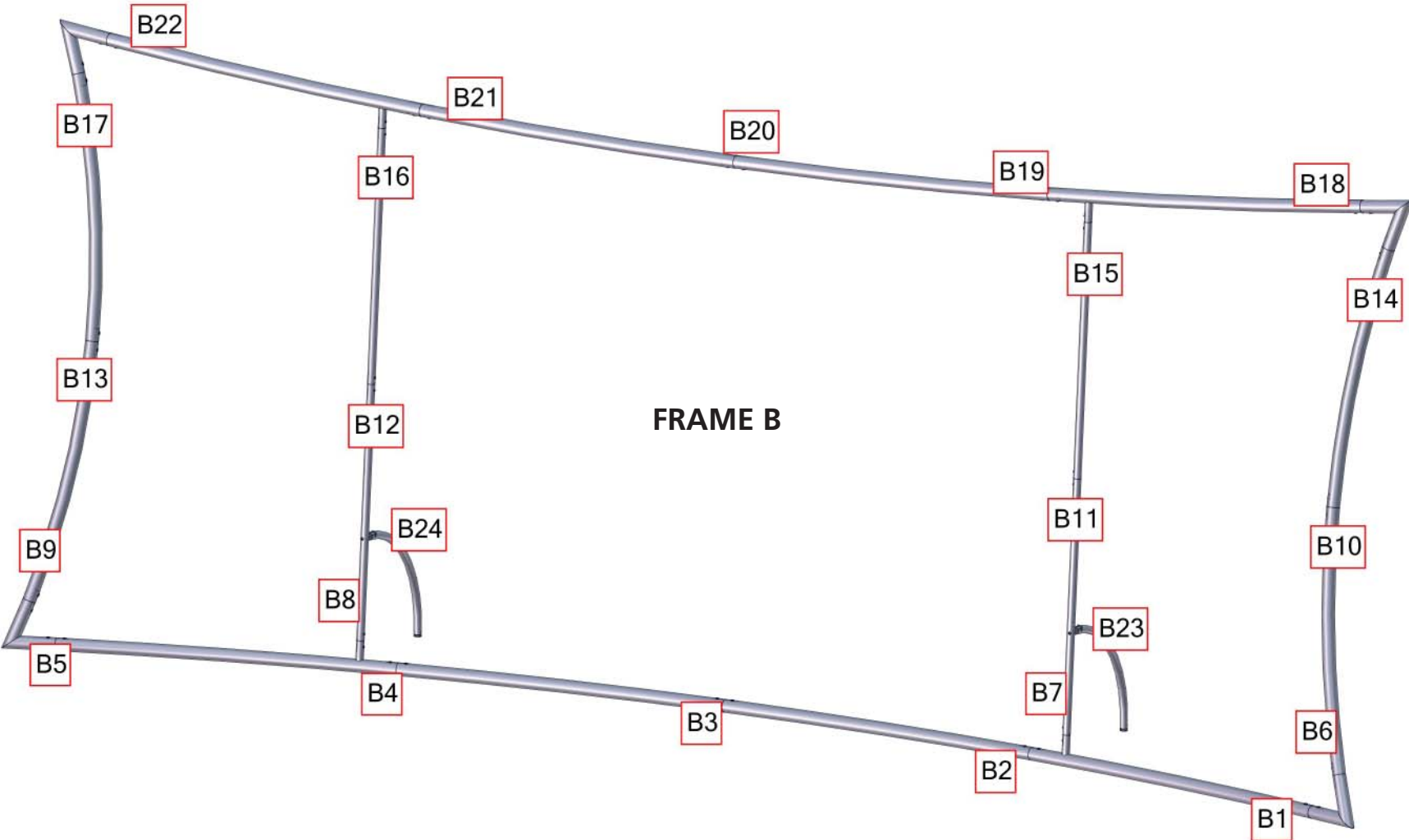
Exploded View

FMLT-DS-20-11



Labeling Diagram

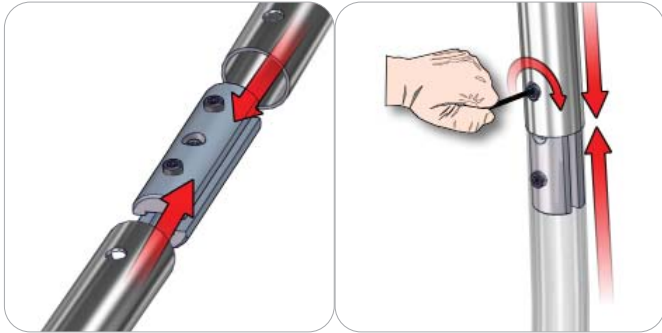
FMLT-DS-20-11



Connection Methods

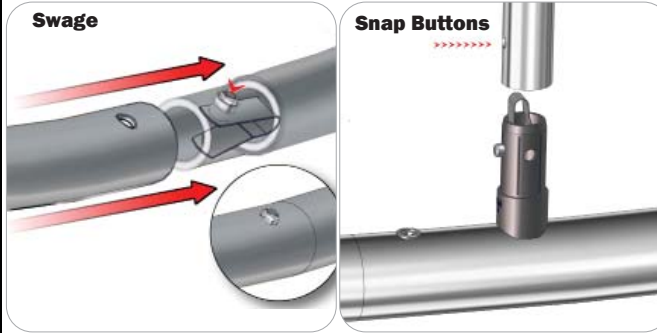
Formulate® structures use a number of different yet simple connection methods. Your kit will include one or more of the connection methods shown below. Steps within the Kit Assembly will reference a specific method for each connection point.

Connection Method 1: ES30 / ES50 / ES75



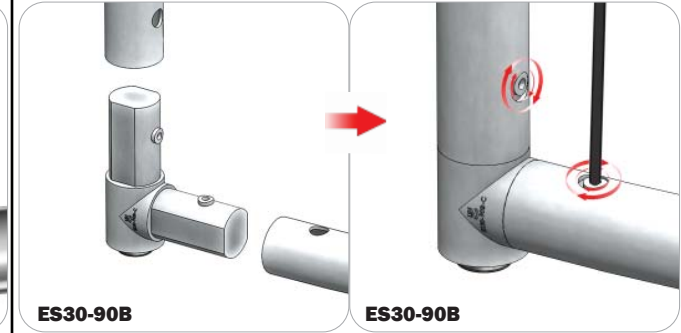
Compress the unlocked connector and slide one tube onto each end. Lock both screws carefully using your allen key tool. Be sure to lock securely, but do not overtighten.

Connection Method 2: Snap Buttons & Swage



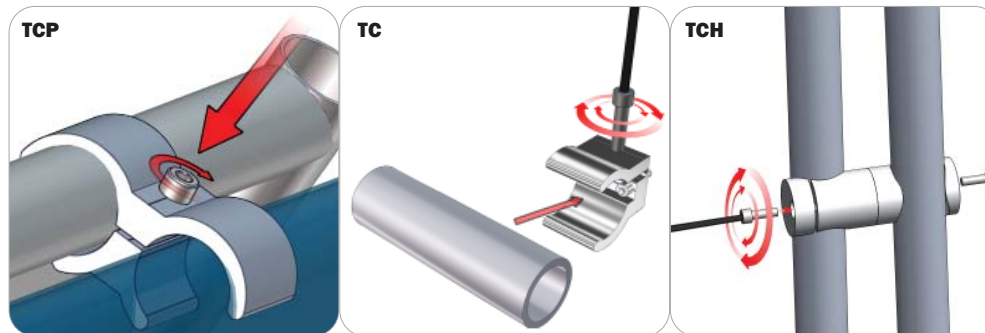
Locate the snap button on the connector or swage tube. Locate the hole on the corresponding tube. Press the snap button with your thumb and slide the tube and connector together so that the snap button snaps fully into the lock hole. To disassemble, press the snap button and pull apart.

Connection Method 3: ES30-90B / ES30-I / ES30-C



Compress one unlocked end of the connector and slide it through one tube end. Compress the other end of the connector and slide the second tube on. Lock both screws carefully using your allen key tool. Be sure to lock securely, but do not overtighten.

Connection Method 4: Tube Clamps

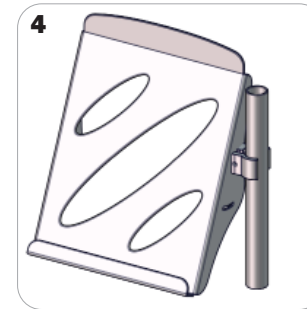
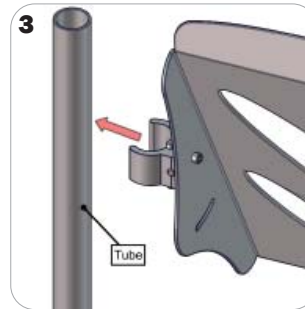
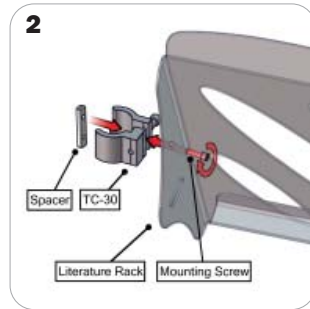


Be sure to fully assemble all frames before using clamps. With the clamp unlocked, place one tube of the first frame into the mouth of the clamp. Place the second tube (if applicable) into the second mouth of the clamp. With both frame's tubes in the clamp, be sure to lock securely, but do not overtighten.

Literature Pocket Assembly

Tube Connections

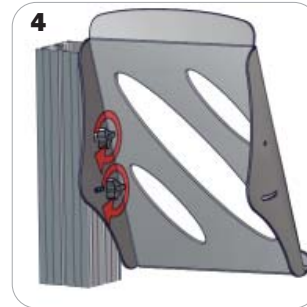
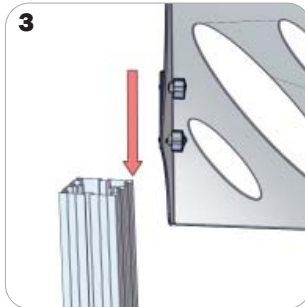
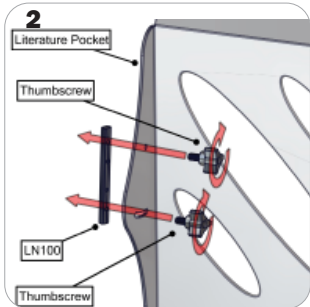
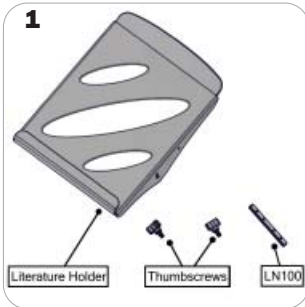
LN112



Locate and unpack your LN112 assembly. Assemble the components in the order shown in step 2. Before tightening into place, adjust angle. Use your allen key tool to lock the mounting screw. Attach the tube clamp to the tube in the desired location. Use your allen key tool to lock the clamp into place.

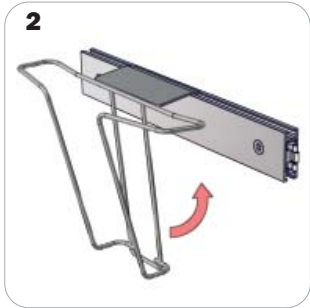
Extrusion Connections

LN112



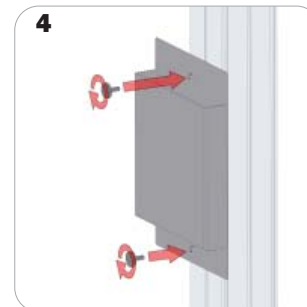
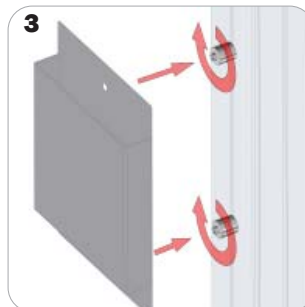
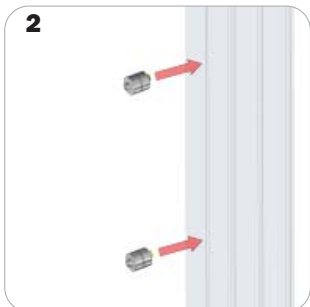
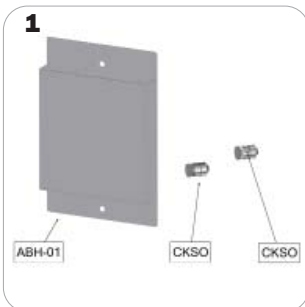
Locate and unpack your LN112 assembly. Assemble the components in the order shown in step 2, do not tighten. Slide the LN100 through the channel to the desired mounting location. Adjust angle. Hand tighten to lock into place.

LN112-2
LN112-3
LN112-4



Locate and unpack your literature pocket. Tilt your literature pocket so that the end of the flange sits inside of the desired horizontal channel. Rotate your literature pocket so the end of the flange rests inside of the channel.

ABH-01



Locate and unpack your ABH-01 assembly. Disassemble your CKSO standoff barrels by unscrewing their caps. Screw the long barrel base into the channel to lock into place. Align the holes of your ABH-01 literature pocket with the CKSO barrels, adjust the CKSO location if necessary. Screw the CKSO caps onto over the holes of the ABH-01 into the barrels.

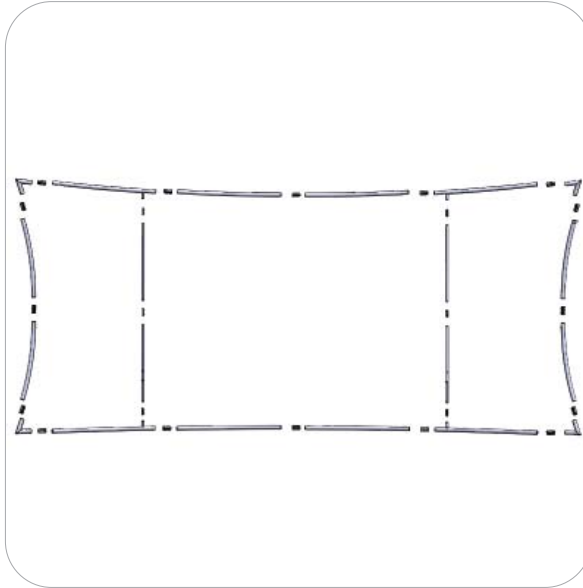
Kit Assembly

Step by Step

Step 1.

Locate the components necessary for assembling Frame B. Assemble your frame in order according to the Labeling Diagram.

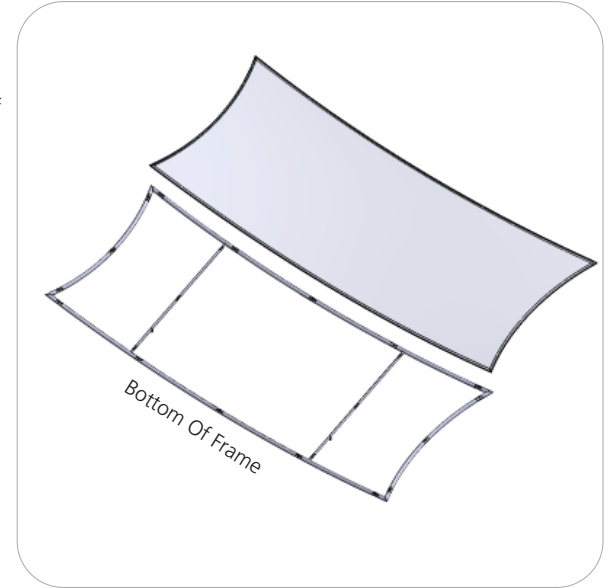
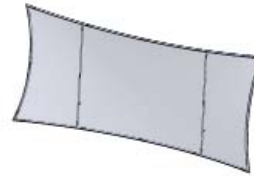
Please reference Connection Methods 1 & 2 for more details.



Step 2.

Fit the FMLT-DS-20-11-B-G graphic onto Frame B. For ease of installation, pull the fabric cover over the top of the frame while the frame rests flat on the floor. Zip to enclose.

Zipper located on the bottom of Graphic B.



Step 3.

Attach the FMLT-DS-20-10-A-T14 to the connectors protruding through the graphics.

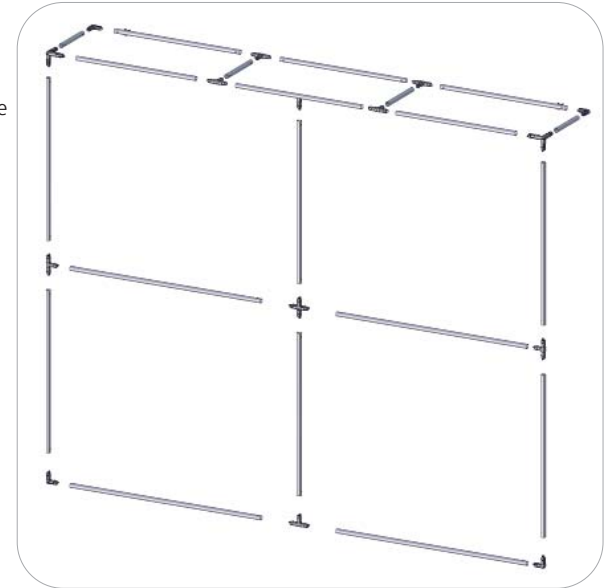
Please reference Connection Method 2 for more details



Step 4.

Locate the components necessary for assembling Frame A. Assemble your frame in order according to the Exploded View.

Please reference Connection Method 2 for more details.



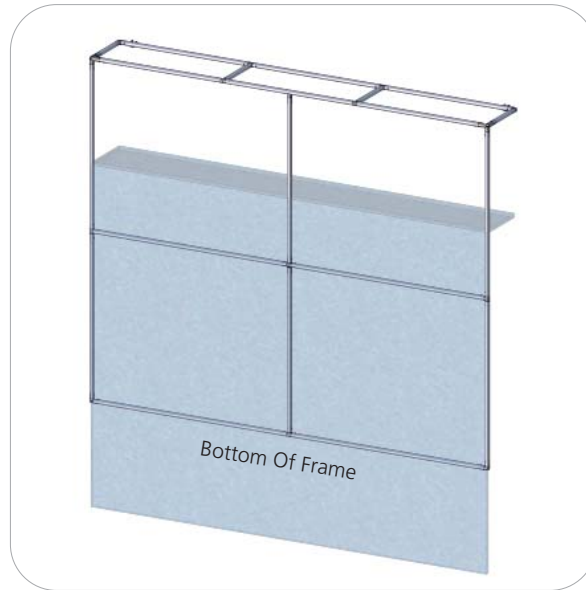
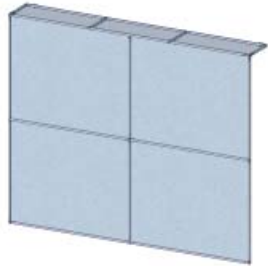
Kit Assembly

Step by Step

Step 5.

Fit the FMLT-DS-20-11-A-G graphic onto Frame A. For ease of installation, pull the fabric cover from the bottom of the frame while the frame rests flat on the floor. Zip to enclose.

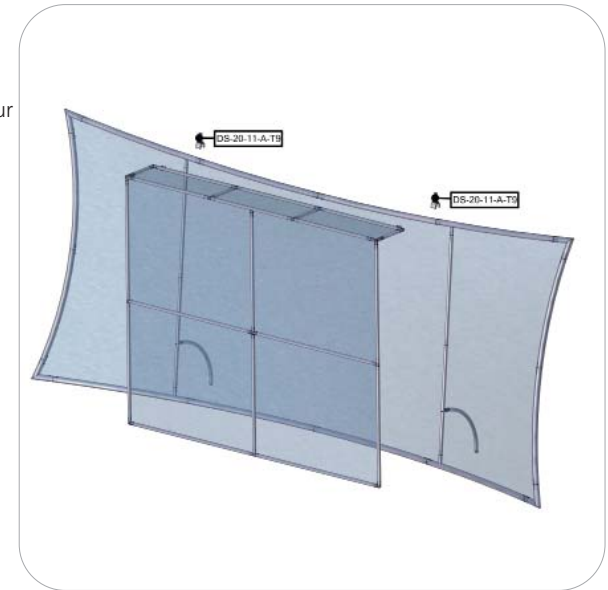
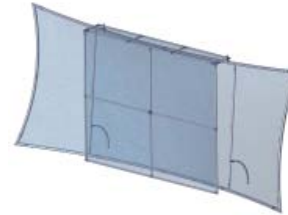
Zipper located to the top of Graphic A.



Step 6.

Locate the two T9 tube clamping components that will connect your Frame A onto Frame B. First, attach them onto the T5 tube clamps located at the top of Frame A. Second, attach the T9 tube clamps onto the top of Frame B.

Please reference Connection Method 4 for more details.



Step 7.

Locate your PM453 Monitor Kiosk Kit. Assemble it according to the order of the provided setup instructions. Place the kiosk behind Frame A as shown in the image to the right. The monitor bracket should be protruding out in front of the pillowcase graphic.



Step 8.

Assemble (2) LN112 Literature pockets with TC-30 clamps for left side mounting and (2) for right side mounting. Lock the LN112 assemblies to the bare post by sticking the clamps through the holes in the graphic.

Please reference the Literature Pocket Assembly page and Connection Method 4 for more details.

Setup is complete.

