

Formulate Designer Series 10' Backwall - Kit 03

FMLT-DS-10-03

Formulate™ Designer Series 10ft displays have unique stylistic features and shapes, are portable and easy to assemble. The aluminum tube frame features snap-buttons and/ or spigot connections and zipper pillowcase fabric graphics. All displays come in portable, wheeled transit cases. Simply pull the pillowcase fabric graphic(s) over the frame and zip.



features and benefits:

- Premium aluminum tube frames with pigot assembly
- Easy to store and ship
- Quick to set up
- Weighted feet for added stability
- Two zipper pillowcase fabric graphics
- Lifetime limited hardware warranty against manufacturer defects

dimensions:

Hardware	Graphic
<p>Assembled unit: 119.95" w x 98.36" h x 26.4" d 3047mm(w) x 2498mm(h) x 671mm(d)</p> <p>Approximate weight with cases: 56 lbs / 25.4 kgs</p>	<p>Refer to related graphic template for more information.</p> <p>Visit: www.exhibitors-handbook.com/graphic-templates</p>
<p>Shipping</p> <p>Packing case(s): 1 OCE Case</p> <p>Shipping dimensions: OCE: Expandable case length (l) may vary 40" - 66" l x 18" w x 18" h 1016mm-1677mm(l) x 458mm(w) x 458mm(h)</p> <p>Approximate total shipping weight (includes cases & graphics): 71 lbs / 32.2 kgs</p>	<p>additional information:</p> <p>Graphic material: dye-sublimation zipper pillowcase fabric</p>

We are continually improving and modifying our product range and reserve the right to vary the specifications without prior notice. All dimensions and weights quoted are approximate and we accept no responsibility for variance. E&OE. See Graphic Templates for graphic bleed specifications.

Included In Your Kit

Tools, Components, & Connectors



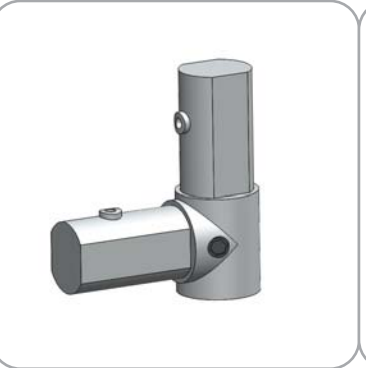
ALLEN KEY SET x1



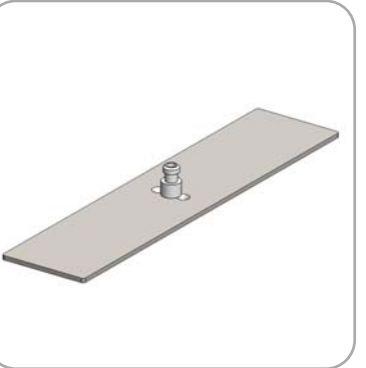
ES30 x12



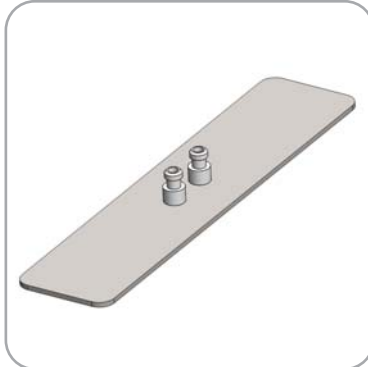
TCH-30-B2B x1



ES30-90B x4



LN114-S2-450 x2



LN114-S3 x1

Graphics



FMLT-DS-10-03-A-G x1



FMLT-DS-10-03-B-G x1

Included In Your Kit



DS-10-03-T1 x1



DS-10-03-T2 x3



DS-10-03-T3 x1



DS-10-03-T4 x1



DS-10-03-T5 x1

Tubes



DS-10-03-T6 x1



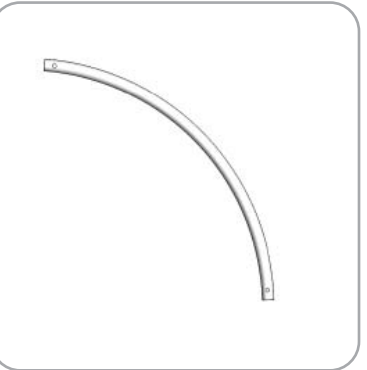
DS-10-03-T7 x1



DS-10-03-T8 x3



DS-10-03-T9 x1



DS-10-03-T10 x1



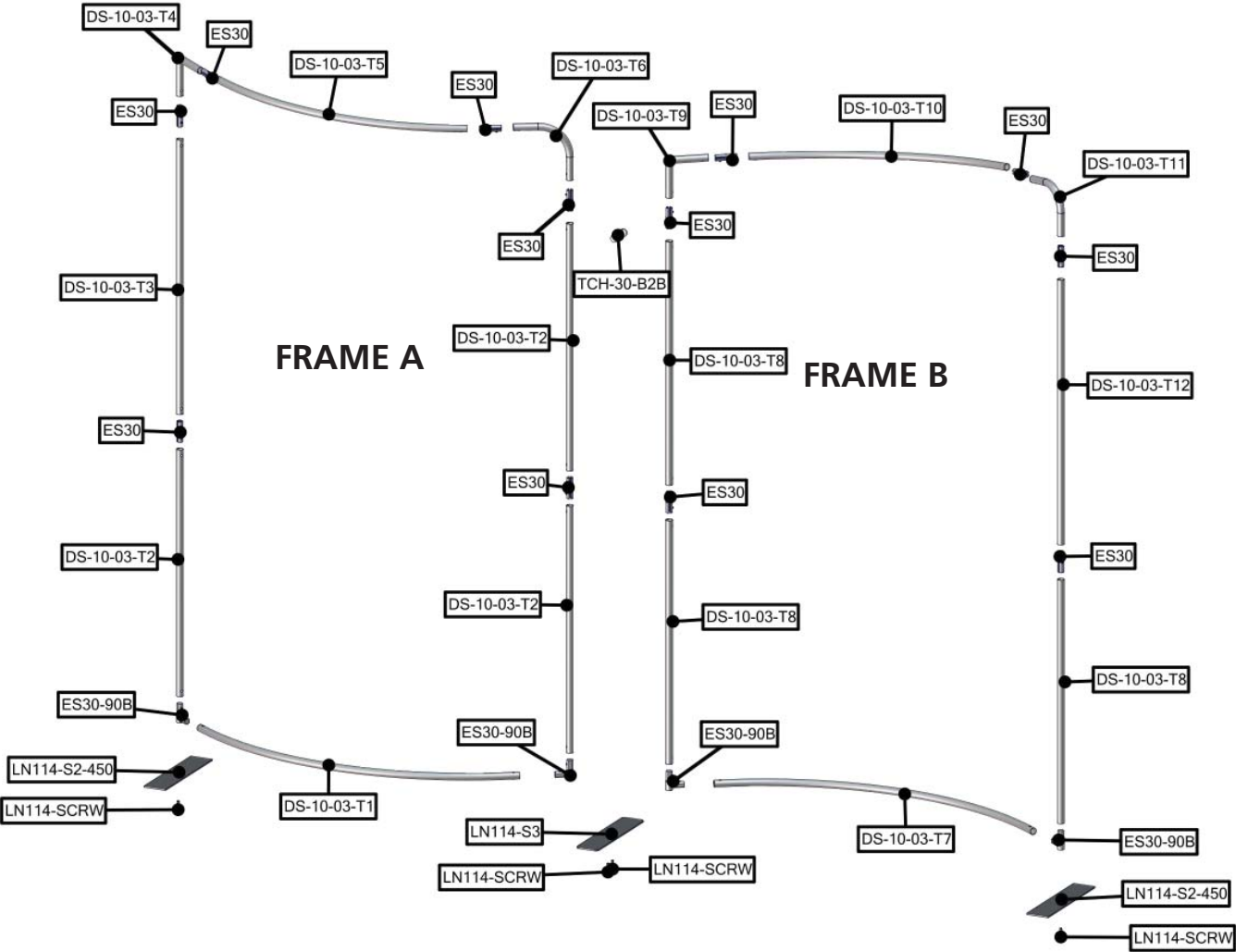
DS-10-03-T11 x1



DS-10-03-T12 x1

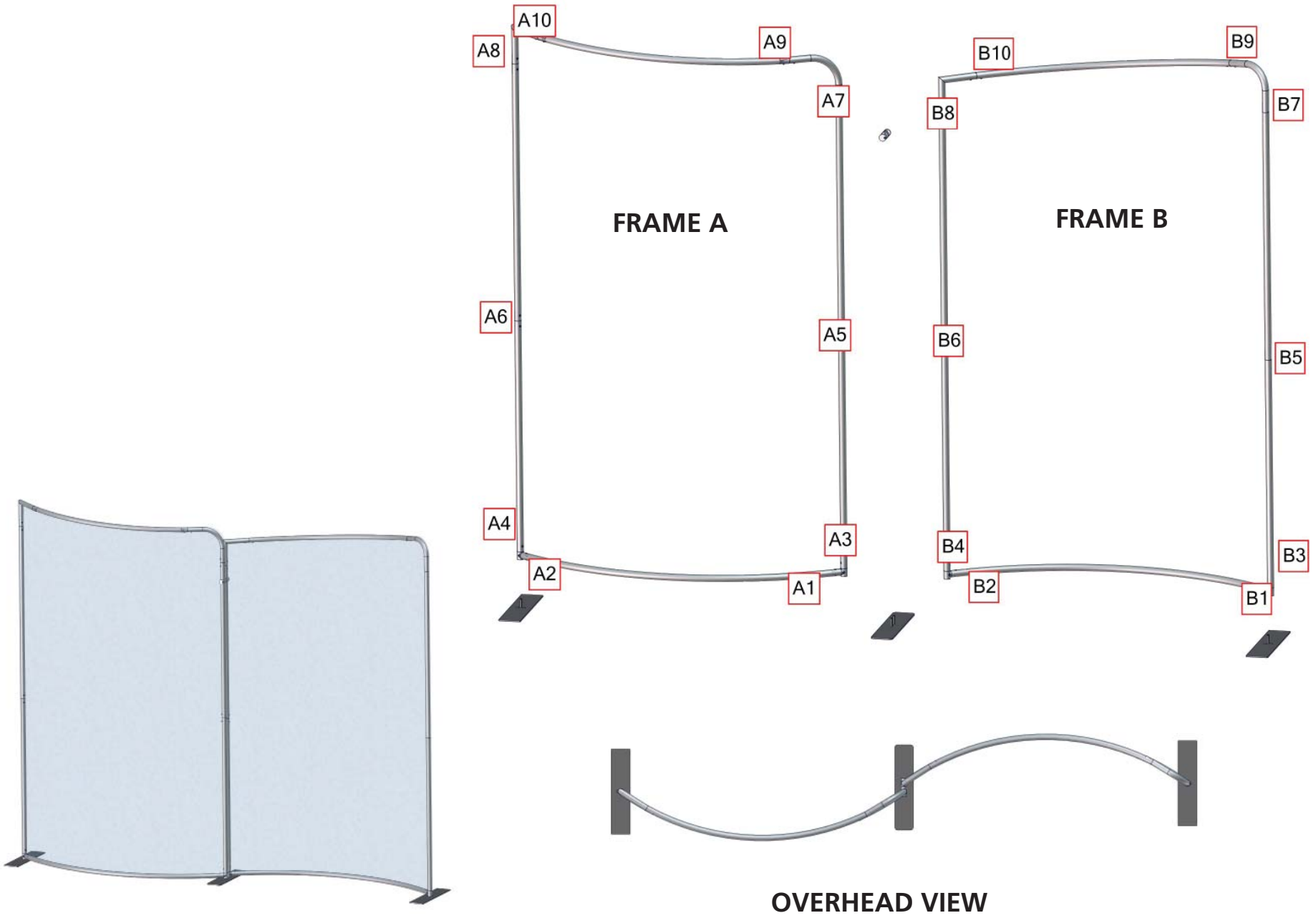
Exploded View

FMLT-DS-10-03



Labeling Diagram

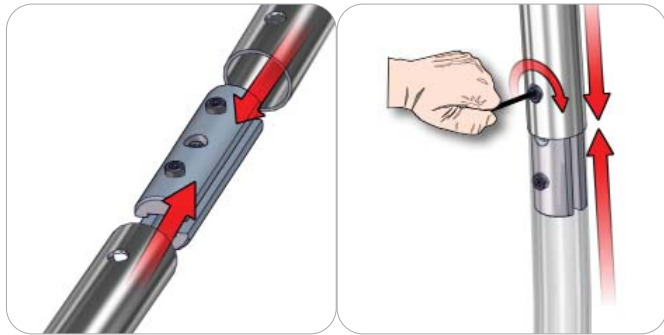
FMLT-DS-10-03



Connection Methods

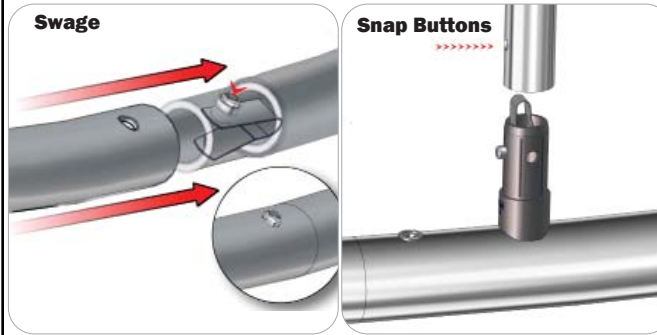
Formulate™ structures use a number of different yet simple connection methods. Your kit will include one or more of the connection methods shown below. Steps within the Kit Assembly will reference a specific method for each connection point.

Connection Method 1: ES30 / ES50 / ES75



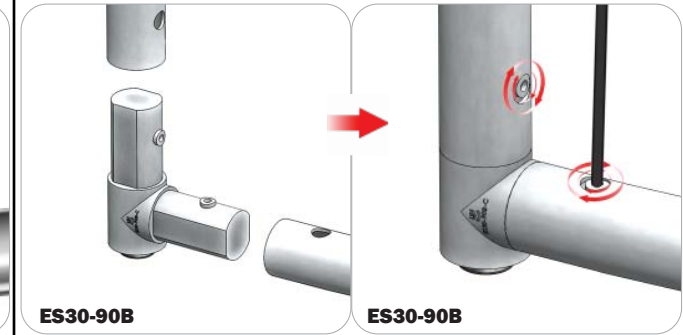
Compress the unlocked connector and slide one tube onto each end. Lock both screws carefully using your allen key tool. Be sure to lock securely, but do not overtighten.

Connection Method 2: Snap Buttons & Swage



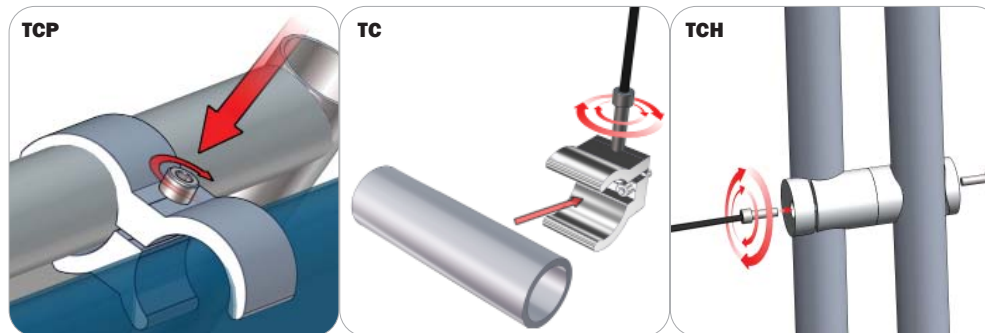
Locate the snap button on the connector or swage tube. Locate the hole on the corresponding tube. Press the snap button with your thumb and slide the tube and connector together so that the snap button snaps fully into the lock hole. To disassemble, press the snap button and pull apart.

Connection Method 3: ES30-90B / ES30-I / ES30-C



Compress one unlocked end of the connector and slide it through one tube end. Compress the other end of the connector and slide the second tube on. Lock both screws carefully using your allen key tool. Be sure to lock securely, but do not overtighten.

Connection Method 4: Tube Clamps



Be sure to fully assemble all frames before using clamps. With the clamp unlocked, place one tube of the first frame into the mouth of the clamp. Place the second tube (if applicable) into the second mouth of the clamp. With both frame's tubes in the clamp, be sure to lock securely, but do not overtighten.

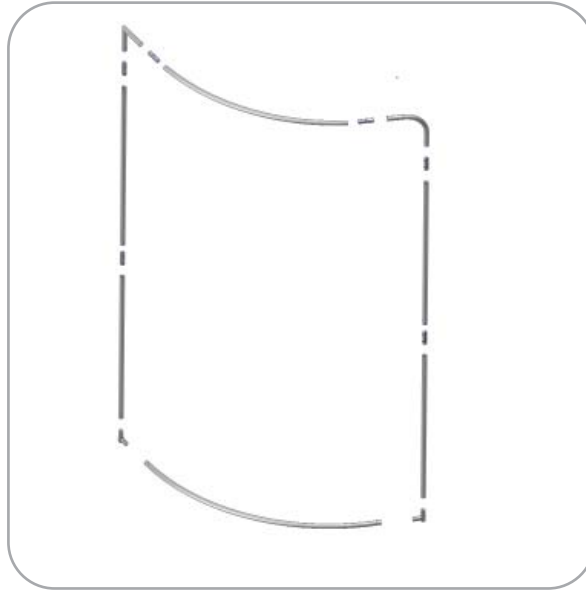
Kit Assembly

Step by Step

Step 1.

Gather the components necessary to assemble Frame A. Assemble your frame following the order specified in the Labeling Diagram.

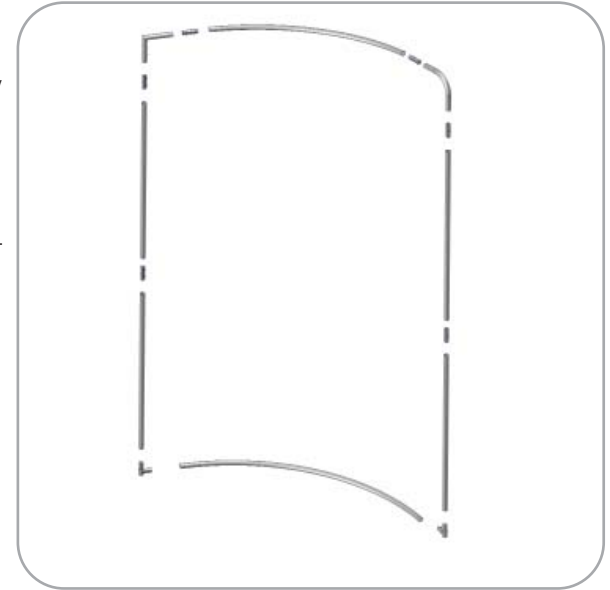
Please reference Connection Methods 1 and 3 for more details.



Step 2.

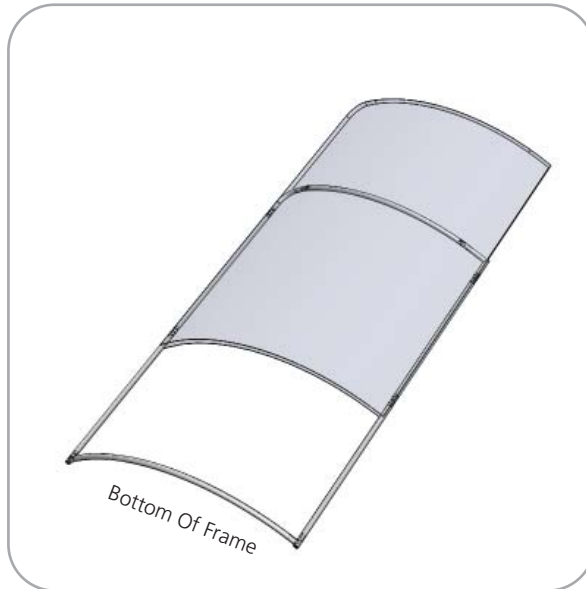
Gather the components necessary to build Frame B. Assemble your frame following the order specified in the Labeling Diagram.

Please reference Connection Methods 1 and 3 for more details.



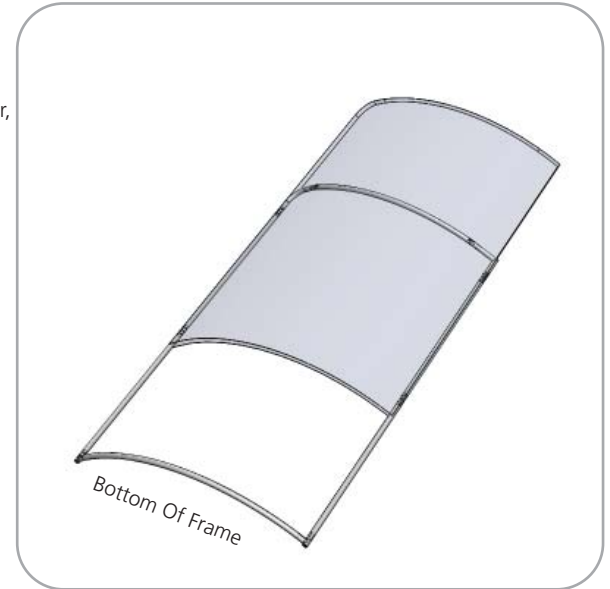
Step 3.

Locate the fabric cover for Frame A. With the frame flat on the floor, pull the cover over the top of the frame. Zip the fabric cover to enclose the frame.



Step 4.

Locate the fabric cover for Frame B. With the frame flat on the floor, pull the cover over the top of the frame. Zip the fabric cover to enclose the frame.



Kit Assembly

Step by Step

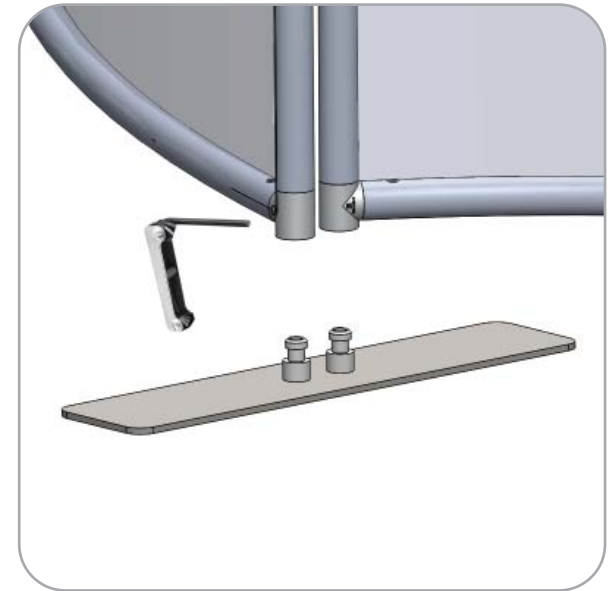
Step 5.

Locate the stabilizing bases LN114-S2-450. Attach the base to the bottom of the ES30-90B on the left side of Frame A and the right side of Frame B. Tighten the screw on the side of the ES30-90B to lock it in place.



Step 6.

Locate the stabilizing base LN114-S3. Attach the base to the bottom of the ES30-90B on the right side of Frame A and the left side of Frame B. Tighten the screw on the sides of the ES30-90Bs to lock them in place.



Step 7.

Locate the TCH-30-B2B. Use the screws on the ends of the TCH30's to tie the tubes of Frame A and B together at the top center.

Please reference Connection Method 4 for more details.

